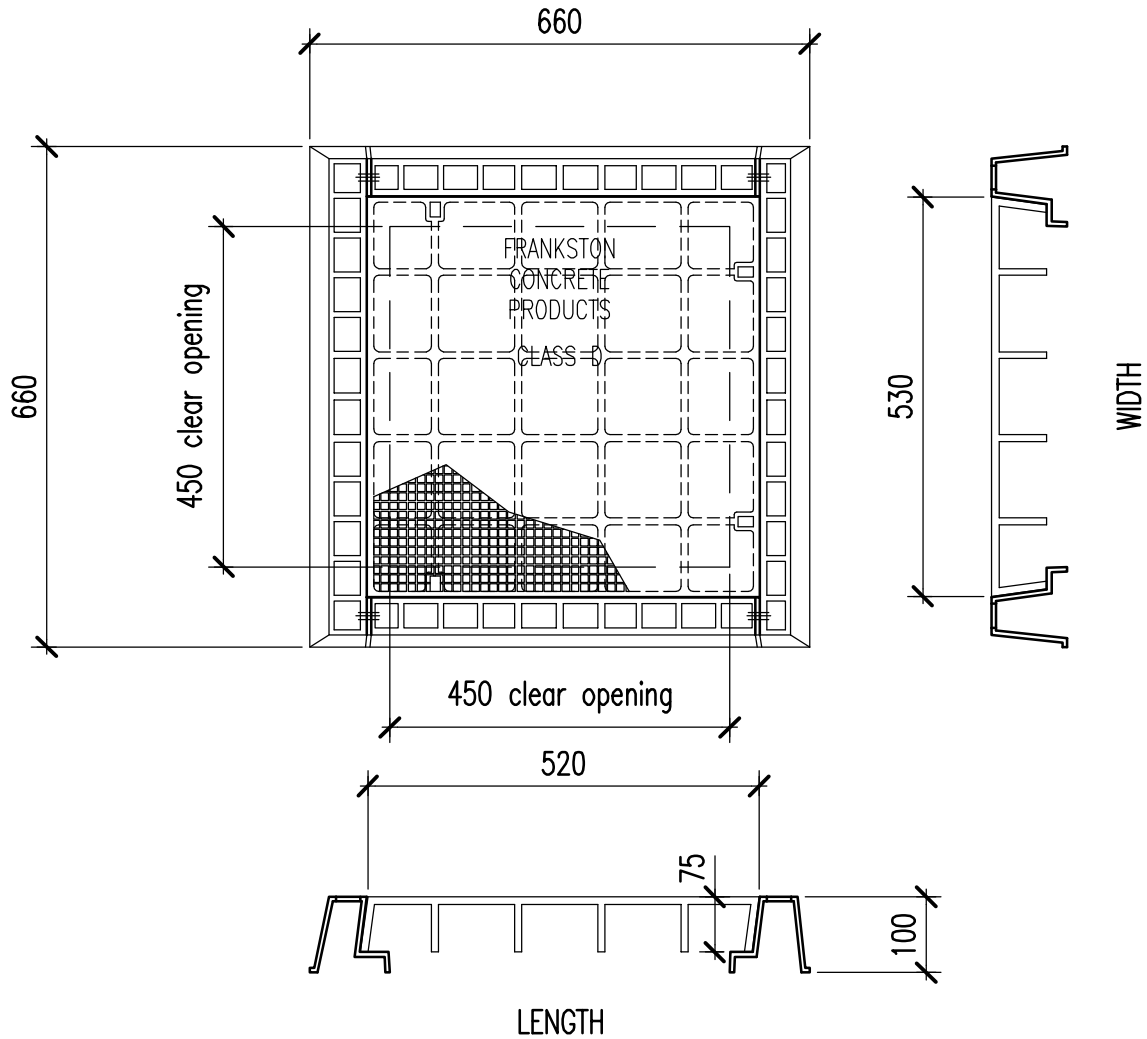
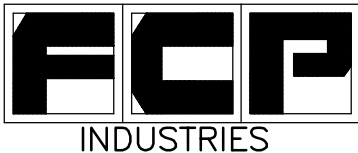


Single Part Access Cover

450 x 450 – Class D (Heavy) – Solid Top



Mass :-
85 kg. (approx)



Frankston Concrete Products

30-44 MILES GROVE
P.O.Box 306
SEAFORD, VICTORIA 3198

Tel.(03)9786 3111 Fax.(03)9786 3208
web site - www.frankstonconcrete.com.au
email - sales@frankstonconcrete.com.au

DRAWN	M.D.S.
CHECKED	M.M.
APPROVED	N.Z.
DRG. No.	FCP/4545DSC