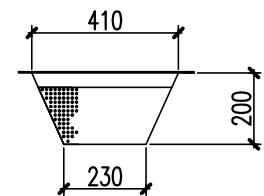
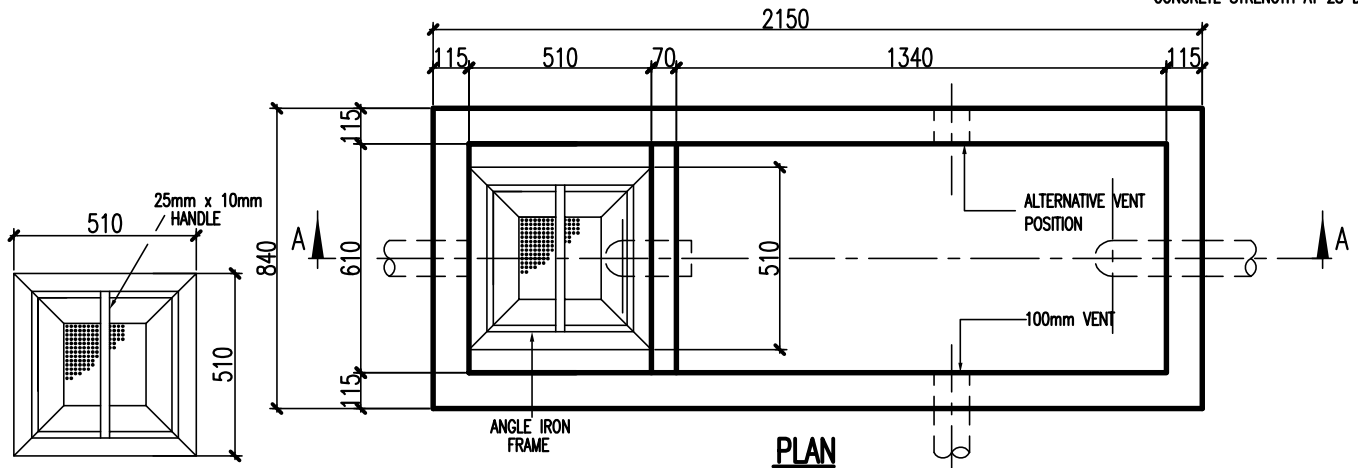
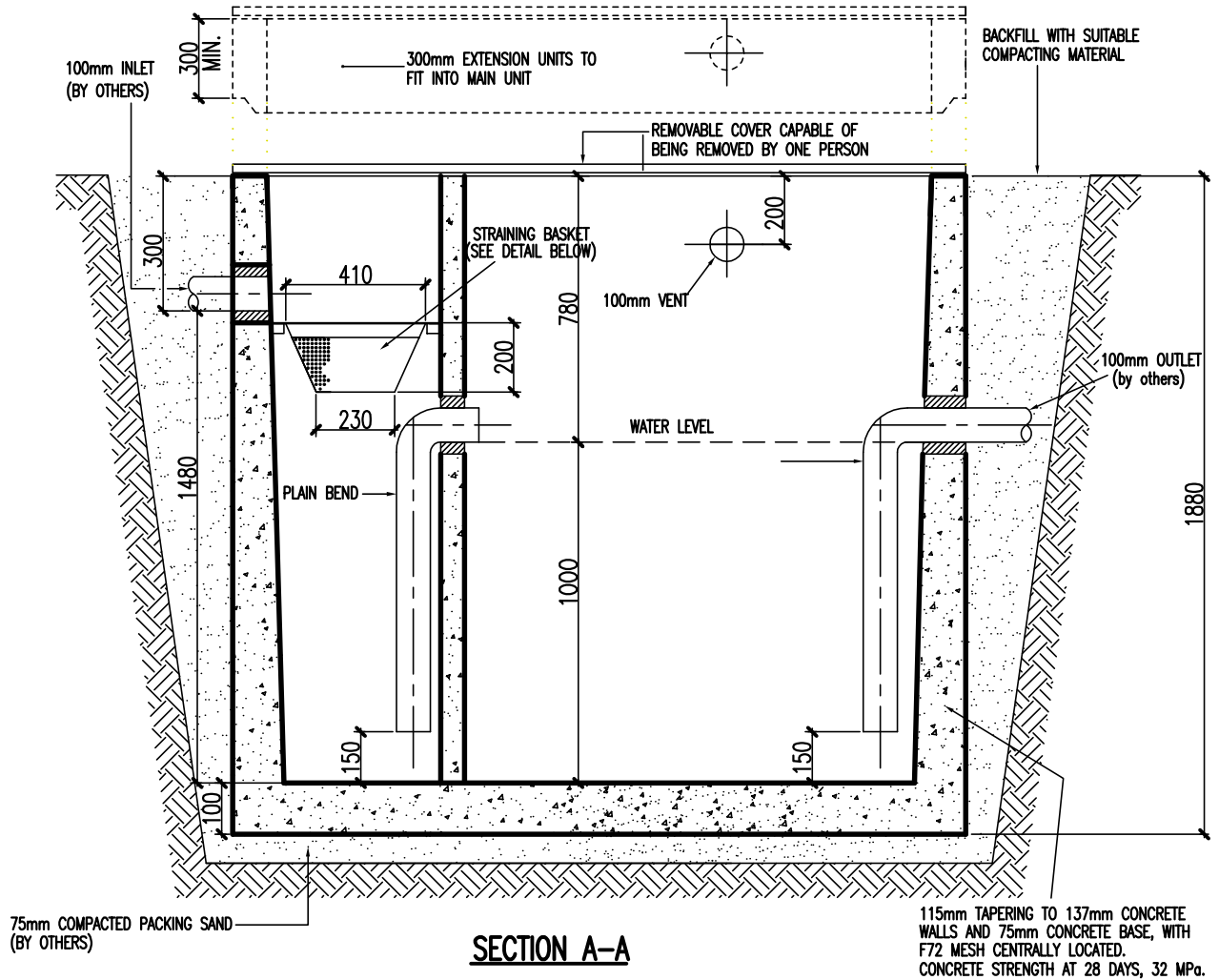


# 800 Litre Cooling and Straining Pit

1100 LITRE  
FULL CAPACITY



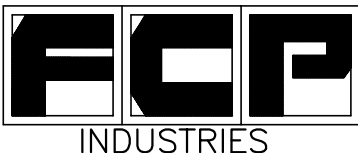
STRAINING BASKET :-

- \* TO BE CONSTRUCTED FROM 3mm MIN. THICK MILD STEEL PLATE WITH 6mm DIA. HOLES AT 12mm CENTRES OVER ENTIRE AREA OF BASKET.
- \* BASKET TO BE GALVANISED AFTER MANUFACTURE
- \* ALL DIMENSIONS IN MILLIMETRES

NOTE :- O/ALL PIT SIZE :-

- 2150mm LONG x 840mm WIDE x 1855mm DEEP
- \* WEIGHT 2800 kg
- \* PIT TO BE INSTALLED, CONNECTED, VENTED AND PROVIDED WITH COVERS IN ACCORDANCE WITH REQUIREMENTS OF LOCAL AUTHORITIES.
- \* EXTENSION RISERS MADE TO FIT INTO MAIN UNIT, TO EXACT DEPTH REQUIRED. MINIMUM HEIGHT 300mm
- \* AVAILABLE COVER SETS
  - LIGHT DUTY
  - MEDIUM DUTY
  - HEAVY DUTY

## STRAINING BASKET DETAILS



## Frankston Concrete Products

30-44 MILES GROVE  
P.O.Box 306  
SEAFORD, VICTORIA 3198

Tel.(03)9786 3111 Fax.(03)9786 3208  
web site - www.frankstonconcrete.com.au  
email - sales@frankstonconcrete.com.au

DRAWN	M.D.S.
CHECKED	M.M.
APPROVED	C.Z.
DRAWING No.	20/1205