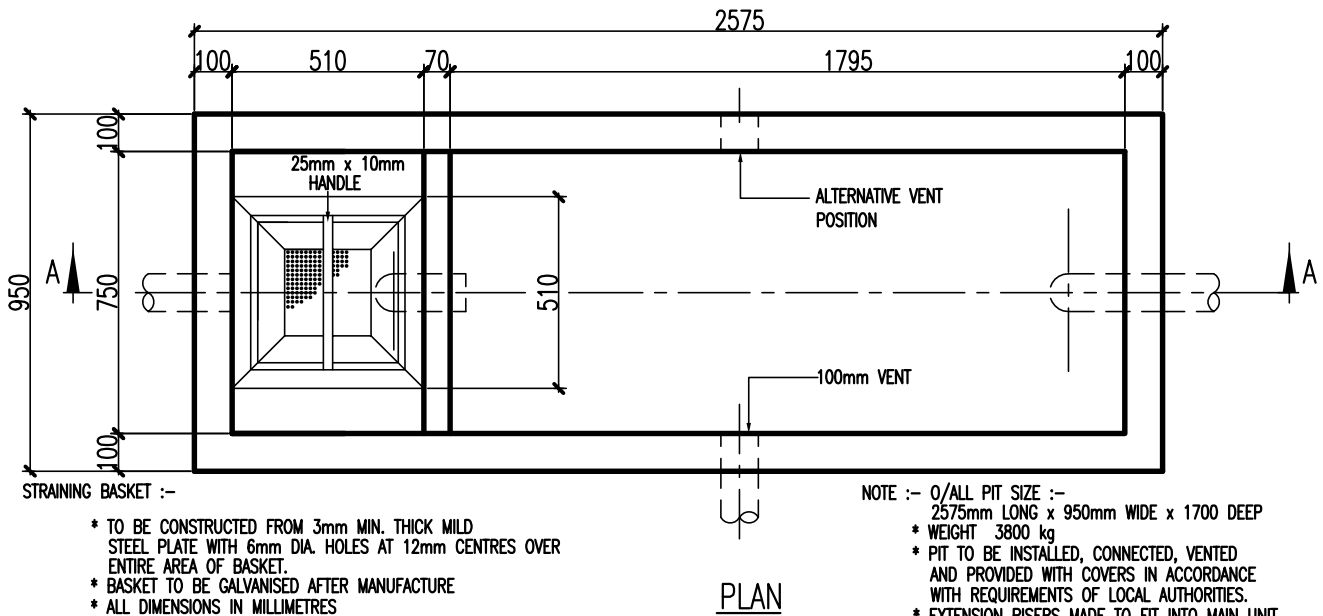
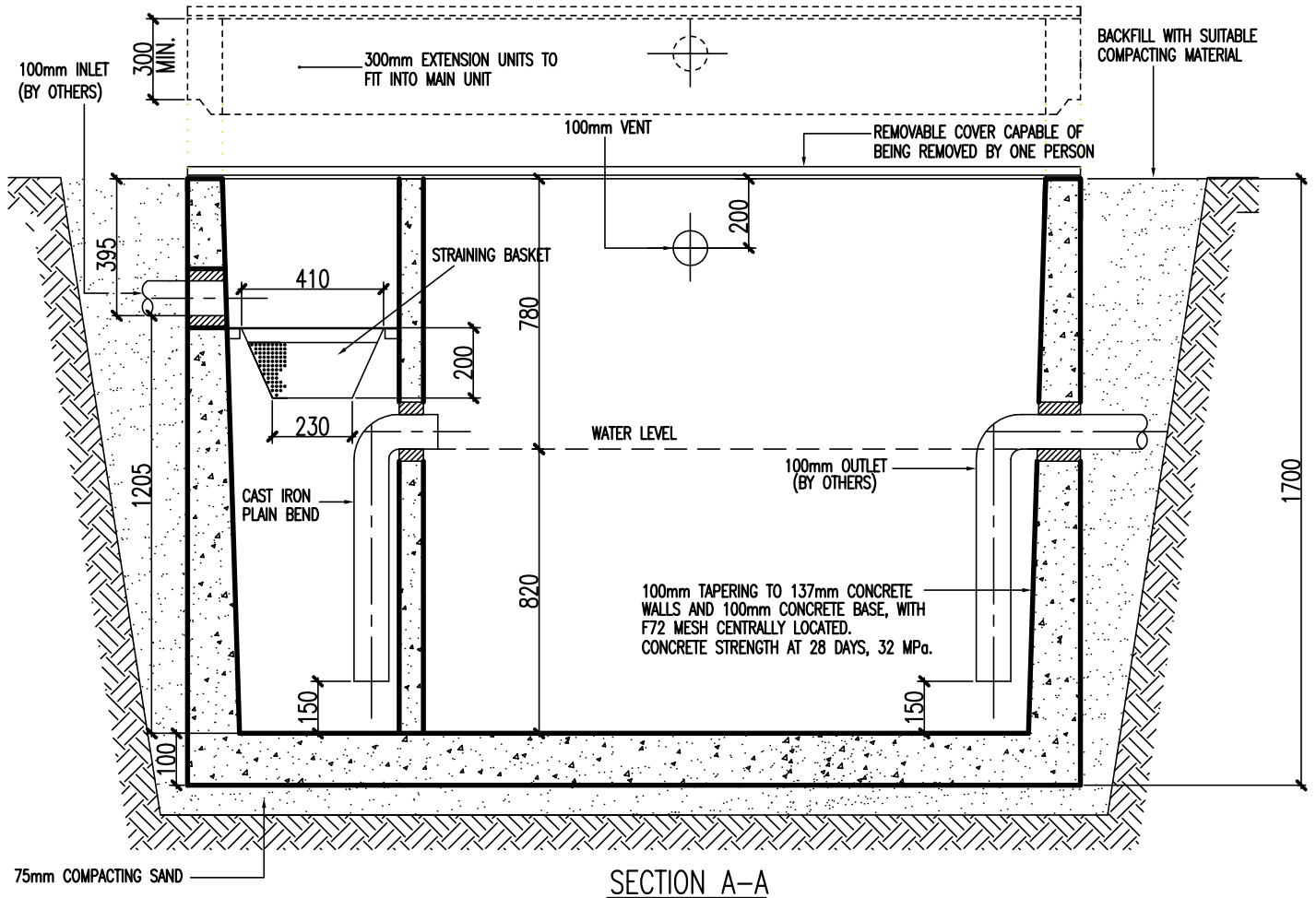
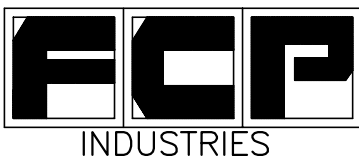


# 1100 Litre Cooling and Straining Pit

1450 LITRE  
FULL CAPACITY



- \* TO BE CONSTRUCTED FROM 3mm MIN. THICK MILD STEEL PLATE WITH 6mm DIA. HOLES AT 12mm CENTRES OVER ENTIRE AREA OF BASKET.
- \* BASKET TO BE GALVANISED AFTER MANUFACTURE
- \* ALL DIMENSIONS IN MILLIMETRES



## Frankston Concrete Products

30-44 MILES GROVE  
P.O.Box 306  
SEAFORD, VICTORIA 3198

Tel.(03)9786 3111 Fax.(03)9786 3208  
web site - [www.frankstonconcrete.com.au](http://www.frankstonconcrete.com.au)  
email - [sales@frankstonconcrete.com.au](mailto:sales@frankstonconcrete.com.au)

DRAWN	M.D.S.
CHECKED	M.M.
APPROVED	C.Z.
DRAWING No.	95/4004A