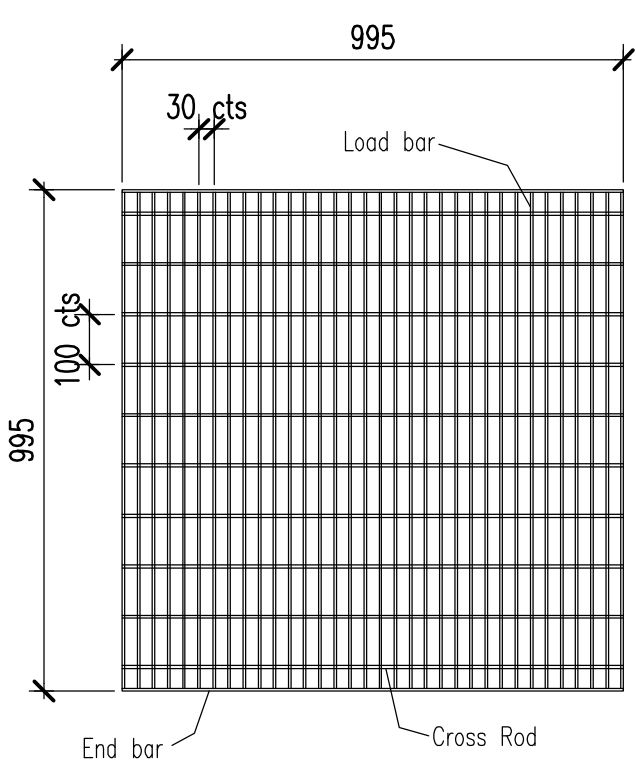


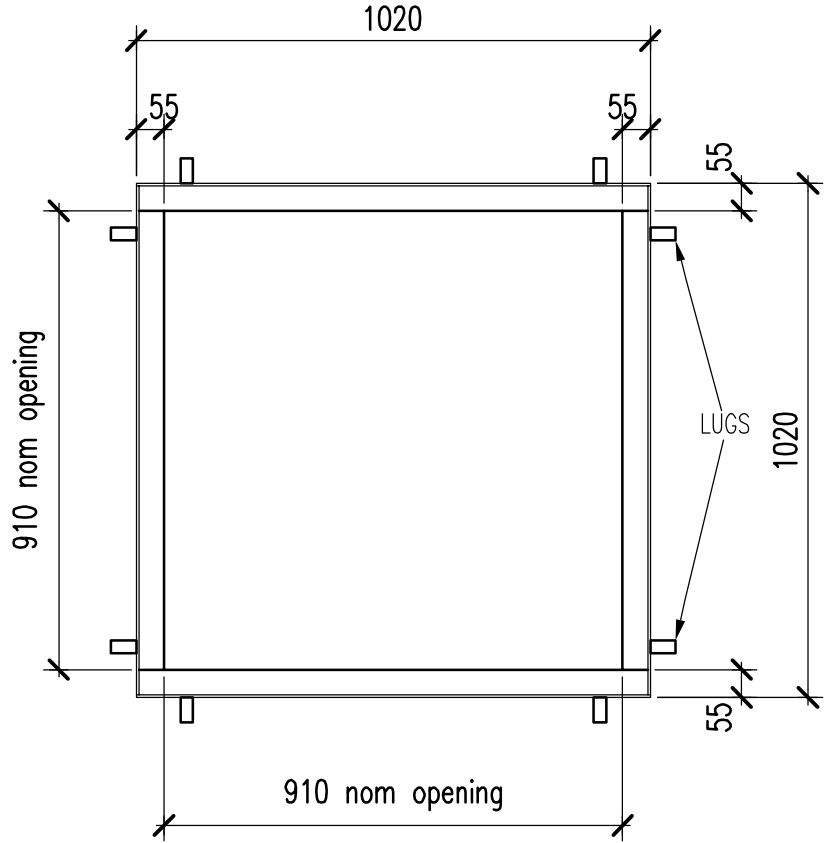
# 900 x 900 Medium Duty Galv. Grate & Frame

Light Passenger Vehicles



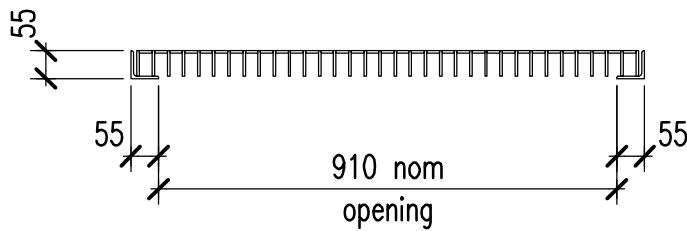
## Grate

Load Bars – 50 x 5 Flats @ 30 cts  
Cross Bars – 100 Cts



## Frame

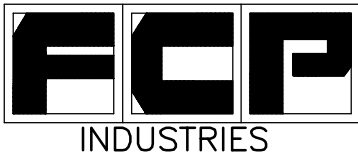
55 x 55 x 5 Angle



## Cross Section

Mass : 90 kgs (approx)

Finish : Hot-Dip Galvanised (AS1650)



**Frankston Concrete Products**

30-44 MILES GROVE  
P.O.Box 306  
SEAFORD, VICTORIA 3198

Tel.(03)9786 3111

Fax.(03)9786 3208

web site - [www.frankstonconcrete.com.au](http://www.frankstonconcrete.com.au)

email - [sales@frankstonconcrete.com.au](mailto:sales@frankstonconcrete.com.au)

DRAWN	M.D.S.
CHECKED	M.M.
APPROVED	N.Z.
DRG. No.	FCP/99CGF