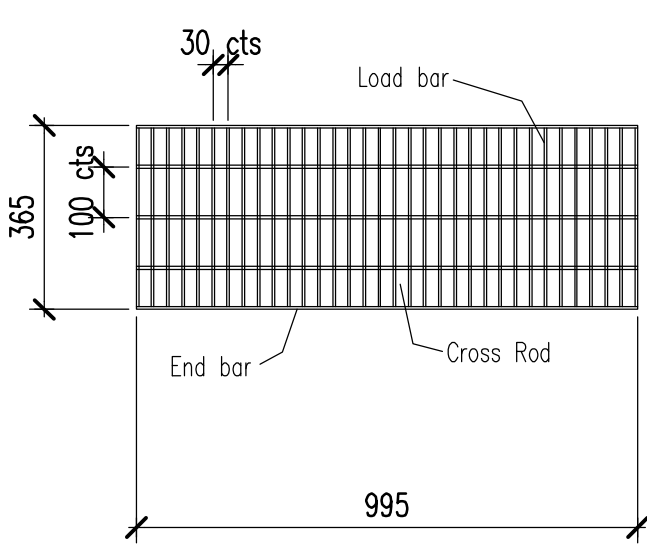


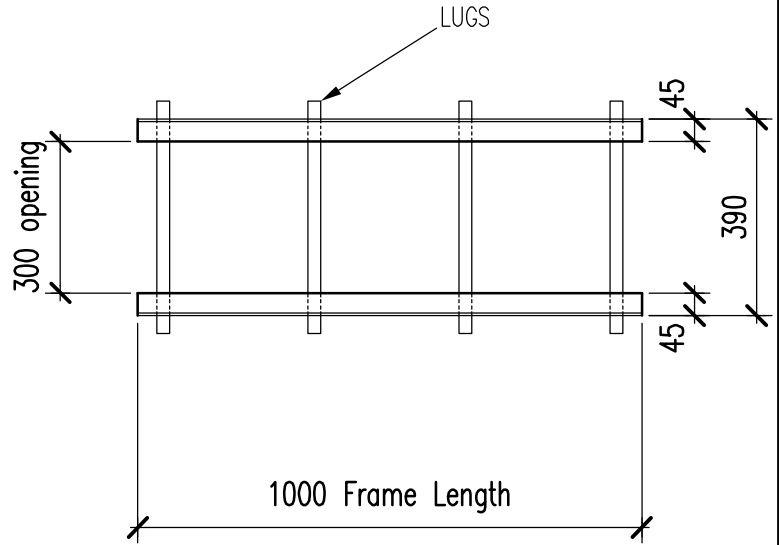
300 Trench – Heavy Duty Galv. Trench Grate & Frame

300 Clear Opening in Frame



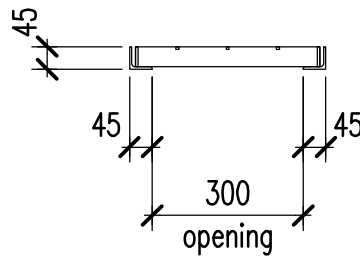
Grate

Load Bars – 40 x 5 Flats @ 30 cts
 Cross Bars – 100 Cts



Frame

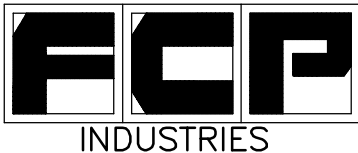
45 x 45 x 5 Angle



Cross Section

Mass : 35 kgs (approx)

Finish : Hot-Dip Galvanised (AS1650)



Frankston Concrete Products

30-44 MILES GROVE
 P.O.Box 306
 SEAFORD, VICTORIA 3198

Tel.(03)9786 3111 Fax.(03)9786 3208
 web site - www.frankstonconcrete.com.au
 email - sales@frankstonconcrete.com.au

DRAWN	M.D.S.
CHECKED	M.M.
APPROVED	N.Z.
DRG. No.	FCP/TG300