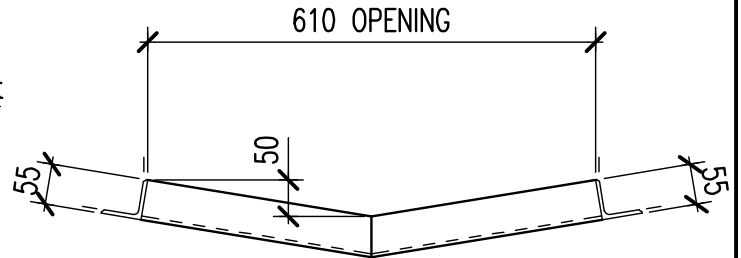
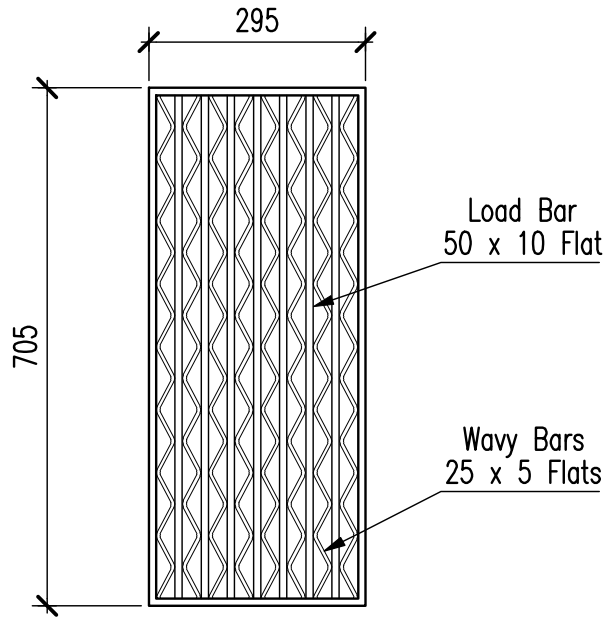


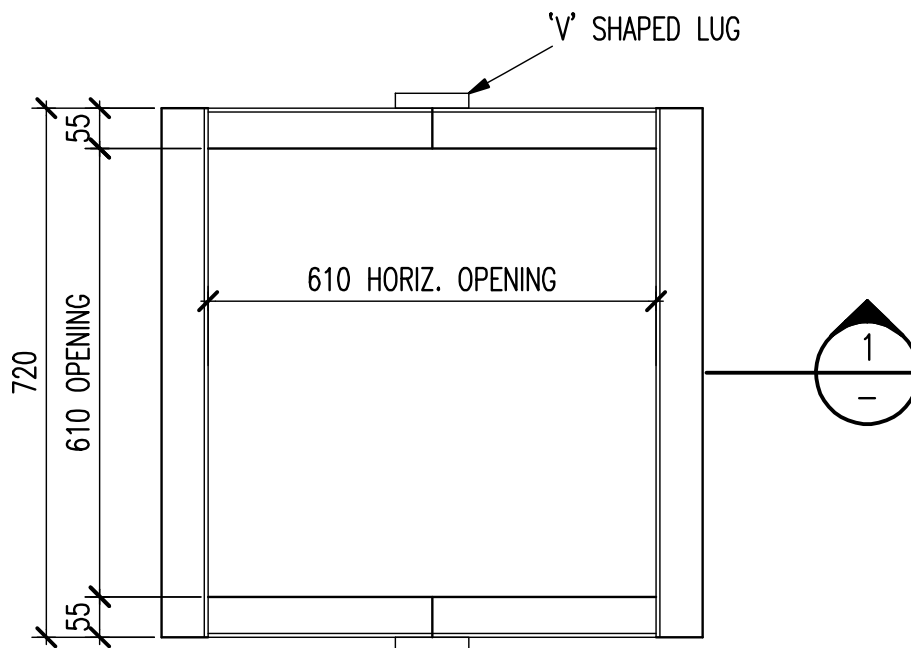
600 x 600 Heavy Duty Galv. Vee Grate & Frame

Heavy Vehicles



SECTION 1

Grates - (2 req'd)



Frame
55 x 55 x 5 Angle

Mass : 55 Kgs (approx)

Finish : Hot-Dip Galvanised (AS1650)



Frankston Concrete Products

30-44 MILES GROVE
P.O.Box 306
SEAFORD, VICTORIA 3198

Tel.(03)9786 3111 Fax.(03)9786 3208
web site - www.frankstonconcrete.com.au
email - sales@frankstonconcrete.com.au

DRAWN	M.D.S.
CHECKED	M.M.
APPROVED	N.Z.
DRG. No.	FCP/6060VDGF