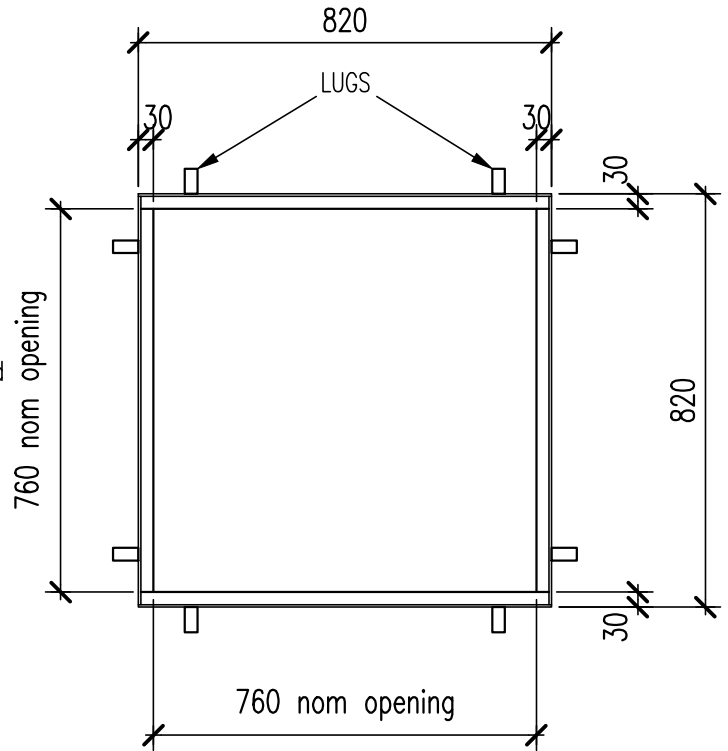
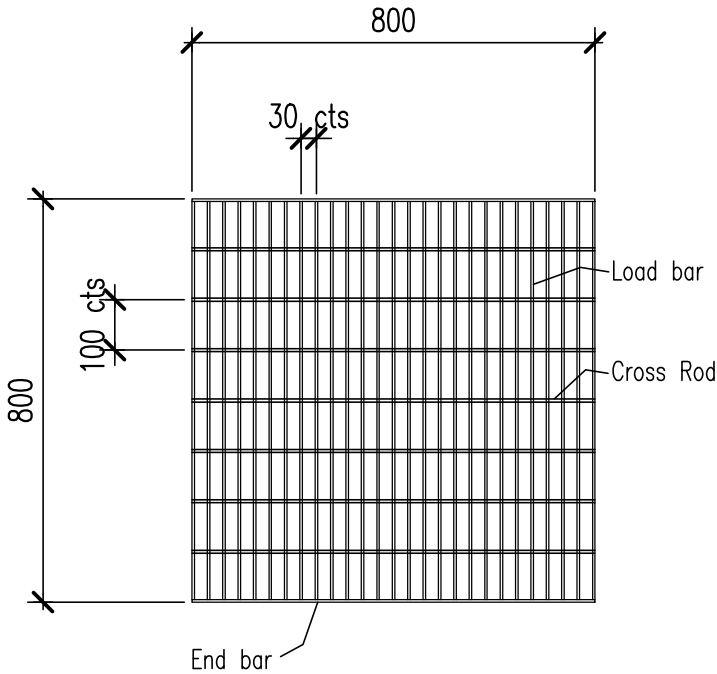


# 750 x 750 Light Duty Galv. Grate & Frame

Foot Traffic Only

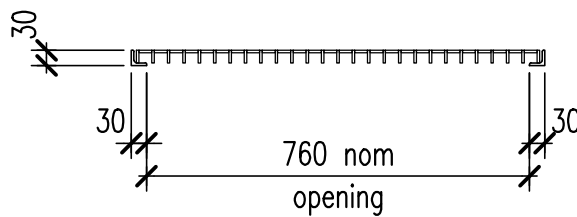


## Grate

Load Bars - 25 x 5 Flats @ 30 cts  
 Cross Bars - 100 Cts

## Frame

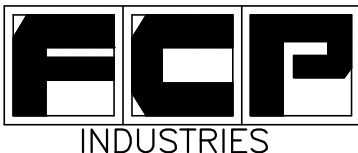
30 x 30 x 5 Angle



## Cross Section

Mass : 33 kgs (approx)

Finish : Hot-Dip Galvanised (AS1650)



**Frankston Concrete Products**

30-44 MILES GROVE  
 P.O.Box 306  
 SEAFORD, VICTORIA 3198

Tel.(03)9786 3111 Fax.(03)9786 3208  
 web site - [www.frankstonconcrete.com.au](http://www.frankstonconcrete.com.au)  
 email - [sales@frankstonconcrete.com.au](mailto:sales@frankstonconcrete.com.au)

DRAWN	M.D.S.
CHECKED	M.M.
APPROVED	N.Z.
DRG. No.	FCP/7575BGF