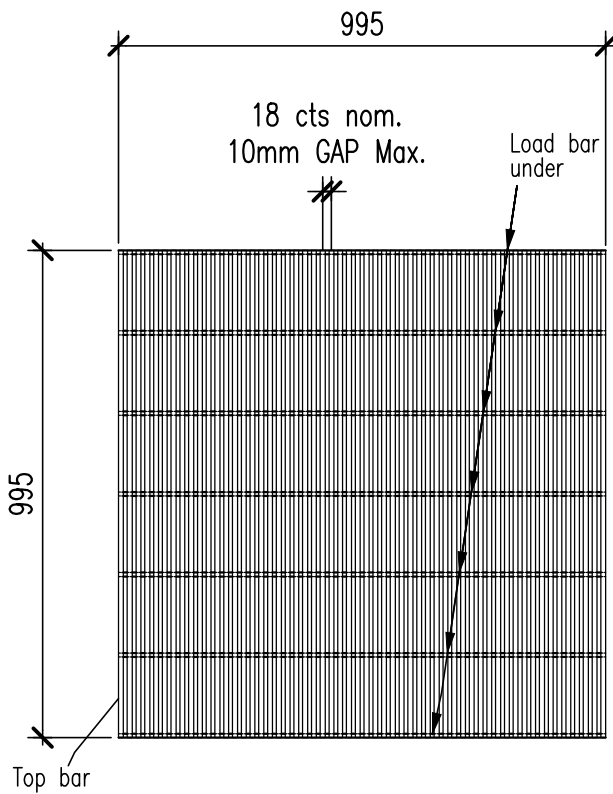


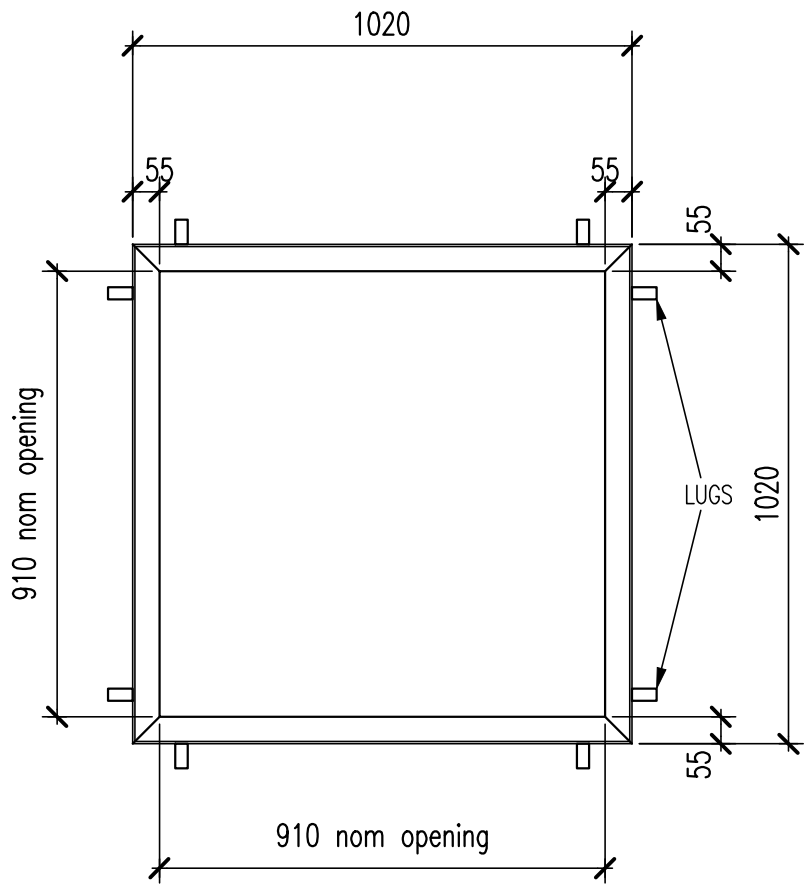
# 900 x 900 Heavy Duty Galv. Heelguard Grate & Frame

Heavy Vehicles



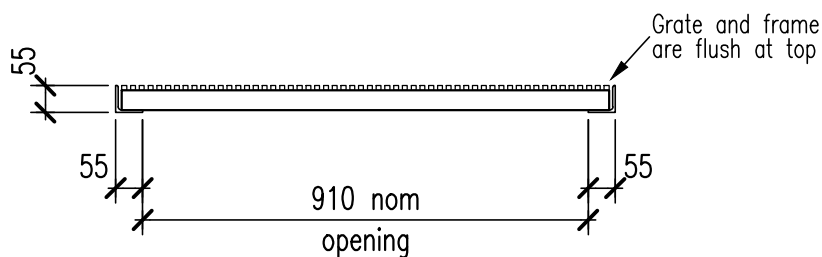
## Grate

Top Bars – 10mm Square Bar @ 18 cts nom.  
Load Bars – 40 x 8 Flats



## Frame

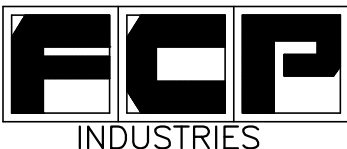
55 x 55 x 5 Angle



## Cross Section

Mass : 130 kgs (approx)

Finish : Hot-Dip Galvanised (AS1650)



**Frankston Concrete Products**

30-44 MILES GROVE  
P.O.Box 306  
SEAFORD, VICTORIA 3198

Tel.(03)9786 3111 Fax.(03)9786 3208  
web site - [www.frankstonconcrete.com.au](http://www.frankstonconcrete.com.au)  
email - [sales@frankstonconcrete.com.au](mailto:sales@frankstonconcrete.com.au)

DRAWN	M.D.S.
CHECKED	M.M.
APPROVED	P.Z.
DRG. No.	FCP/99DHGF