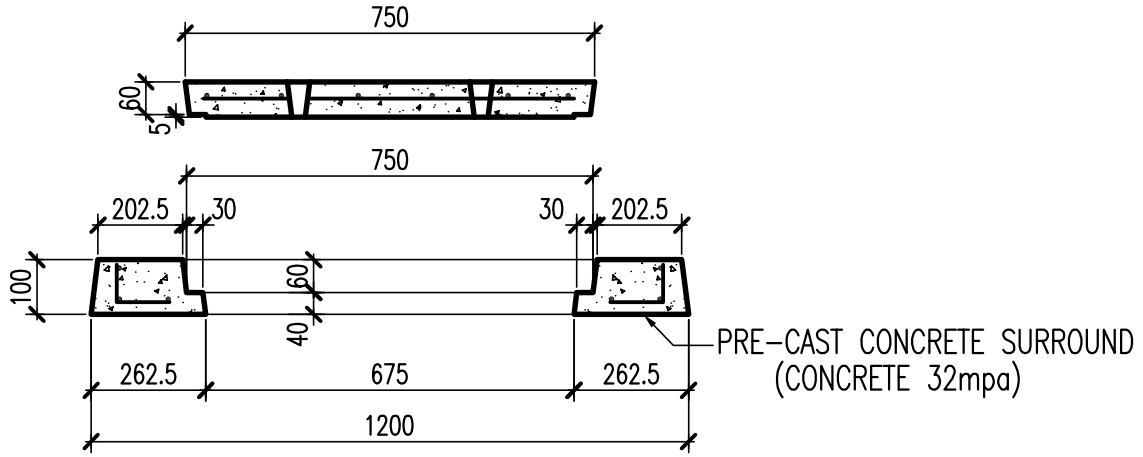
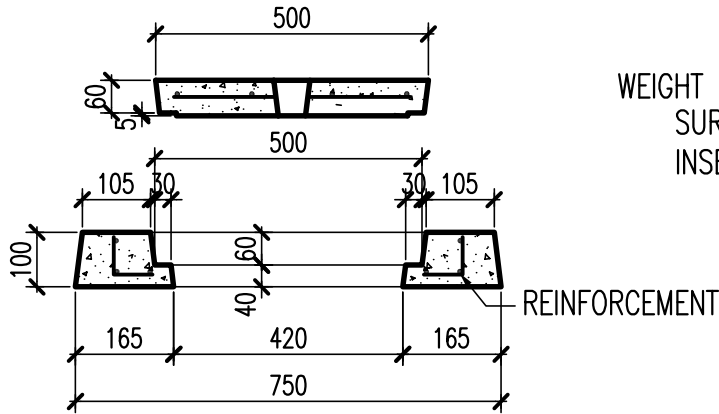


# 1200 x 750 Side Entry Frame & Insert

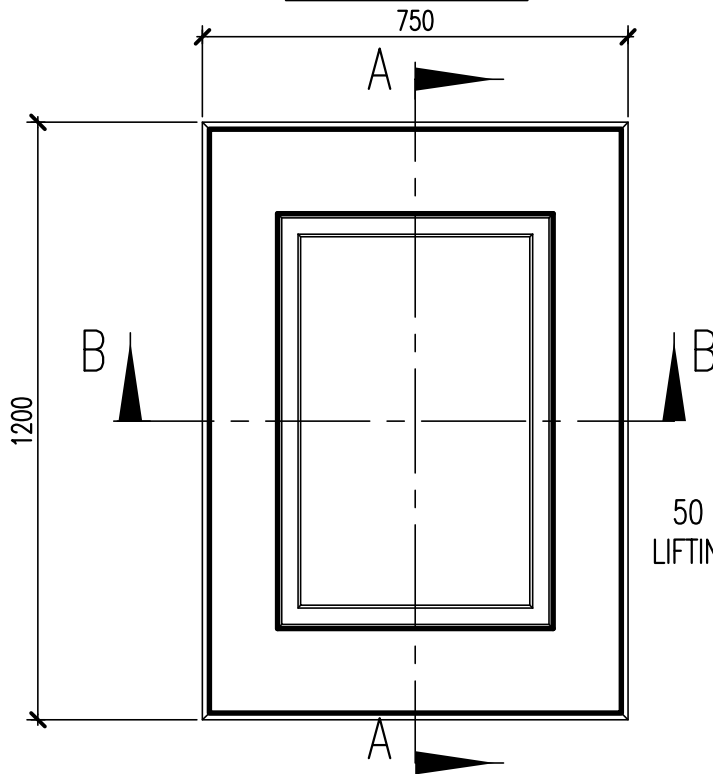


SECTION A-A

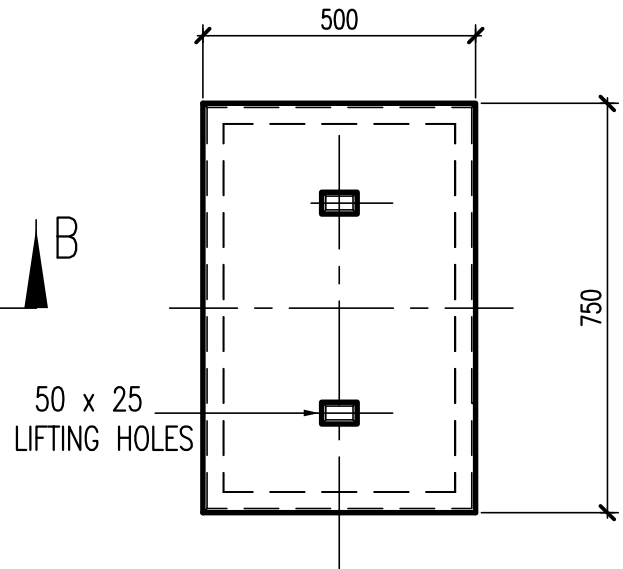


SECTION B-B

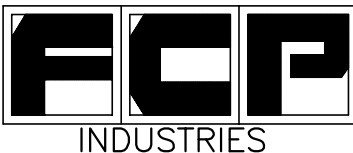
WEIGHT :-  
 SURROUND 178 kg  
 INSERT 58 kg



PLAN - SURROUND



PLAN - INSERT



**Frankston Concrete Products**

30-44 MILES GROVE  
 P.O.Box 306  
 SEAFORD, VICTORIA 3198

Tel.(03)9786 3111 Fax.(03)9786 3208  
 web site - [www.frankstonconcrete.com.au](http://www.frankstonconcrete.com.au)  
 email - [sales@frankstonconcrete.com.au](mailto:sales@frankstonconcrete.com.au)

DRAWN	M.D.S.
CHECKED	J.A.
APPROVED	C.Z.
DRAWING No.	20/1005