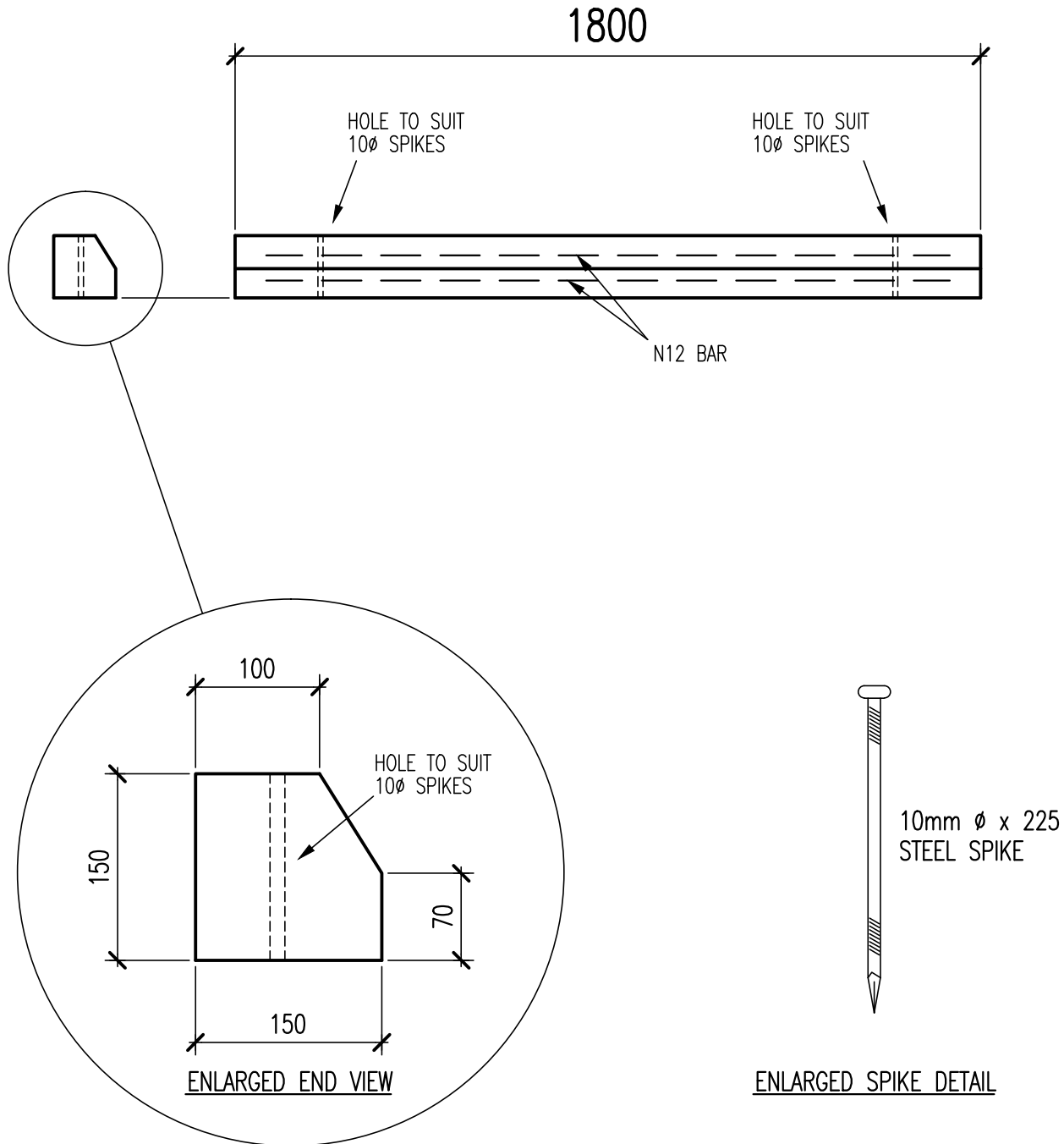
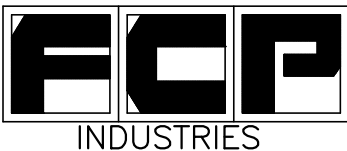


Spiked Kerbing (1800 long)



Measurements in Millimetres, Not to Scale

Mass : 100 kgs (approx)



Frankston Concrete Products

30-44 MILES GROVE
P.O.Box 306
SEAFORD, VICTORIA 3198

Tel.(03)9786 3111 Fax.(03)9786 3208
web site - www.frankstonconcrete.com.au
email - sales@frankstonconcrete.com.au

DRAWN	M.D.S.
CHECKED	M.M.
APPROVED	P.Z.
DRG. No.	FCP/1800SK