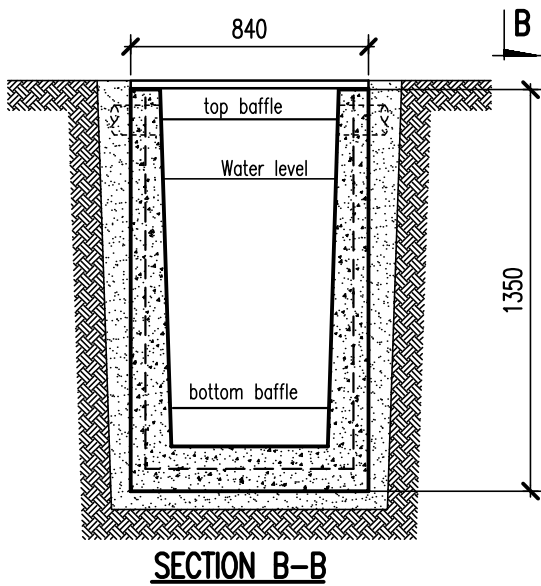
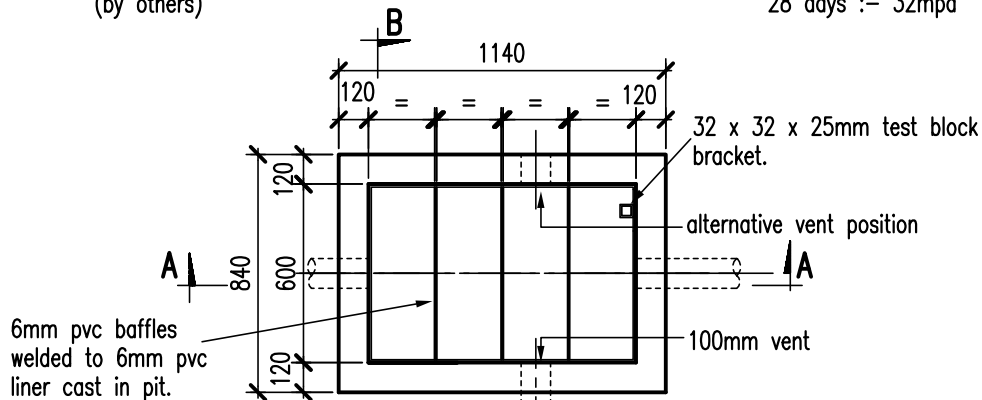
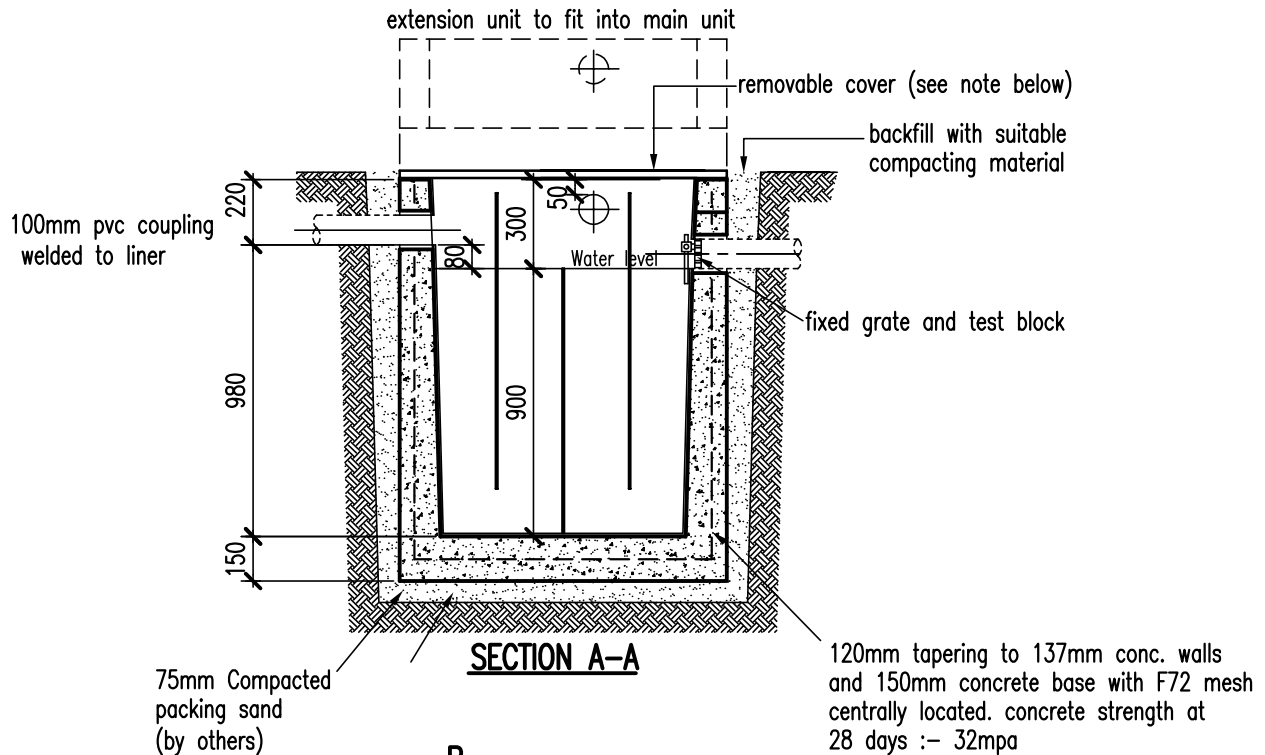


# 450 Litre Neutraliser—with PVC Liner



**NOTE :-**

- extension risers made to exact depth required min. height 300mm.
- available cover sets :-
  - light duty
  - medium duty
  - heavy duty
- 0/all ext'l. dimensions of pit :- 840mm wide x 1140mm long x 1350mm deep.
- interceptor to be installed connected vented and provided with covers in accordance with requirements of local authorities.
- all dimensions in millimetres

## MELBOURNE WATER TYPE 6A



**Frankston Concrete Products**

30-44 MILES GROVE  
P.O.Box 306  
SEAFORD, VICTORIA 3198

Tel.(03)9786 3111 Fax.(03)9786 3208  
web site - www.frankstonconcrete.com.au  
email - sales@frankstonconcrete.com.au

DRAWN	M.D.S.
CHECKED	M.M.
APPROVED	C.Z.
DRAWING No.	95/3002