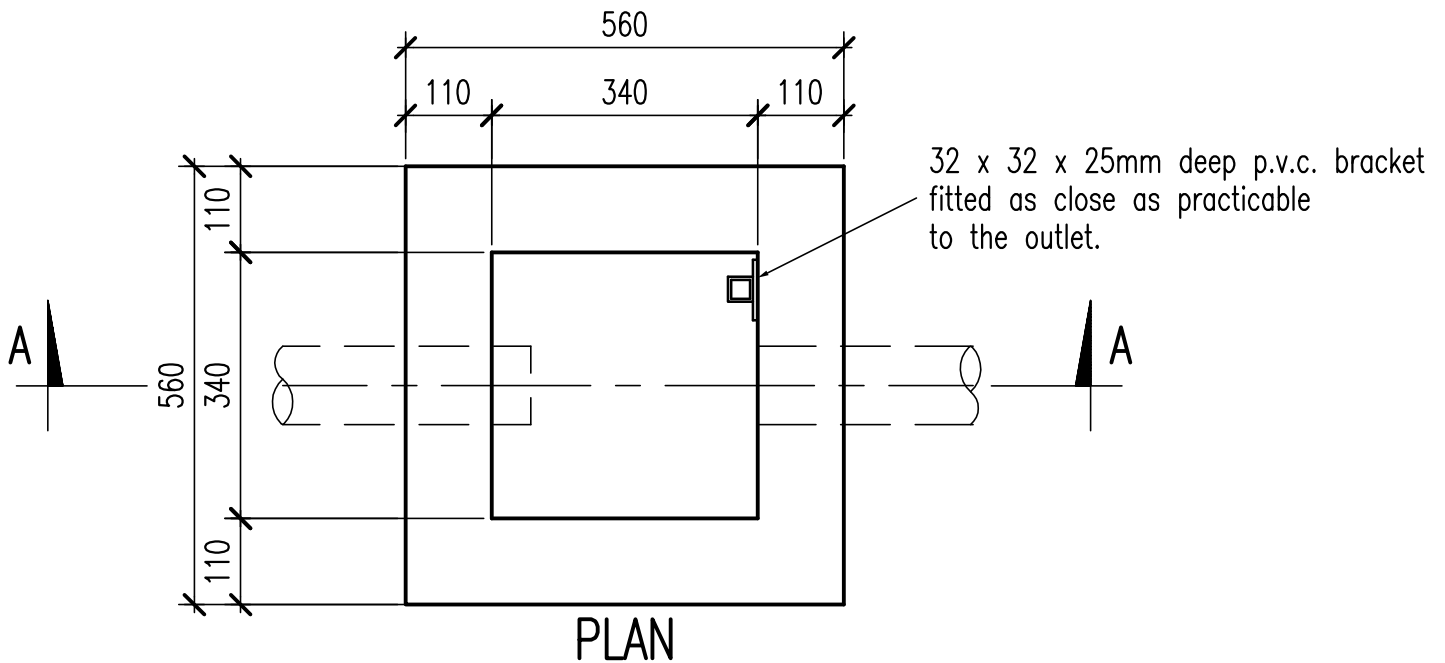
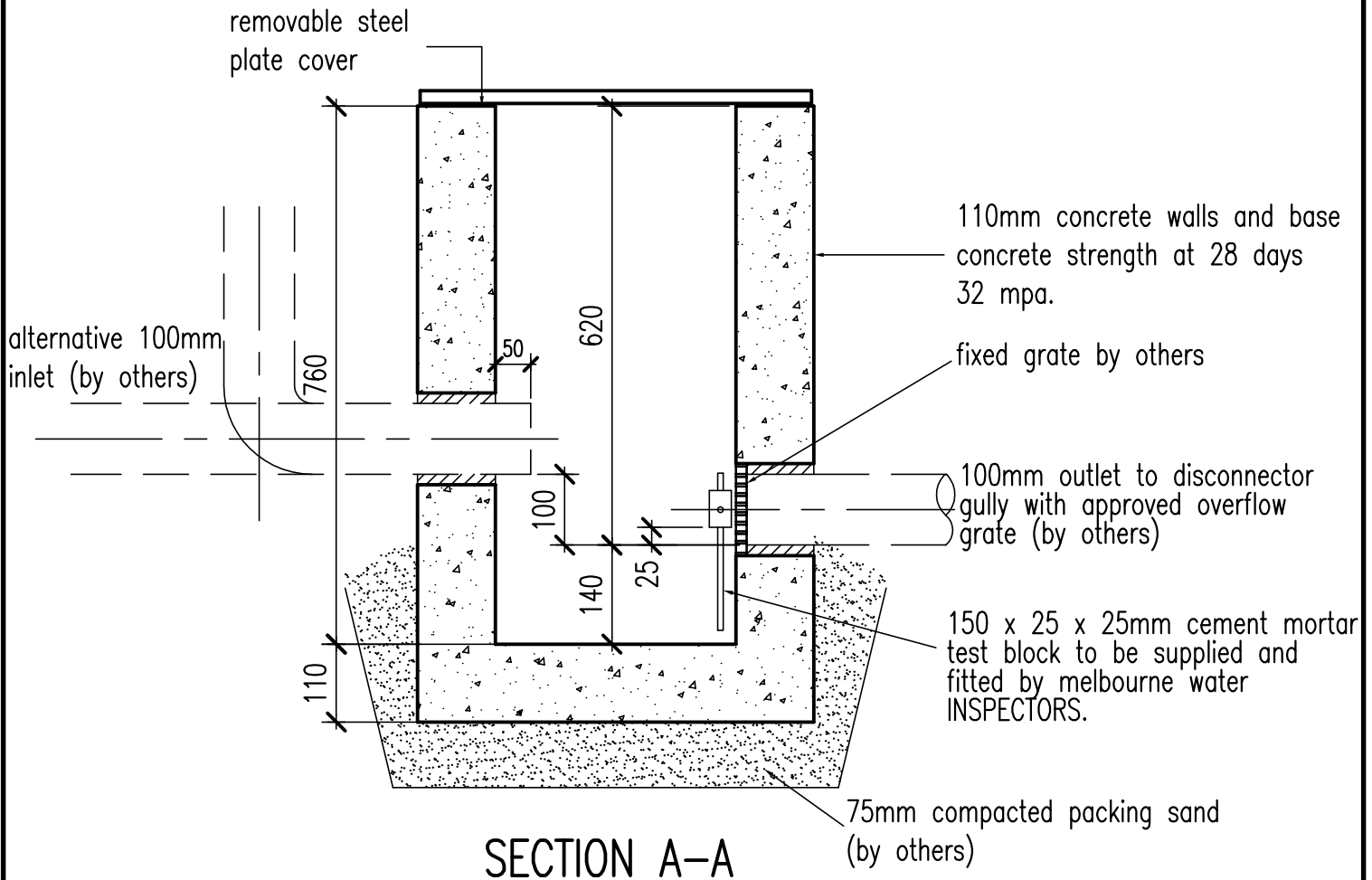


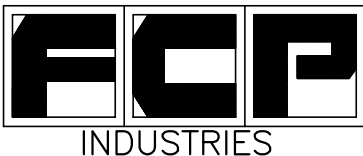
Testing Sump



NOTE :- 0/all external pit size :- 560 long x 560 wide x 870 deep
weight : 500Kg

MELBOURNE WATER TYPE 11A

APPROVED No. 391/101/0020



Frankston Concrete Products

30-44 MILES GROVE
P.O.Box 306
SEAFORD, VICTORIA 3198

Tel.(03)9786 3111 Fax.(03)9786 3208
web site - www.frankstonconcrete.com.au
email - sales@frankstonconcrete.com.au

DRAWN	M.D.S.
CHECKED	M.M.
APPROVED	C.Z.
DRAWING No.	95/0001