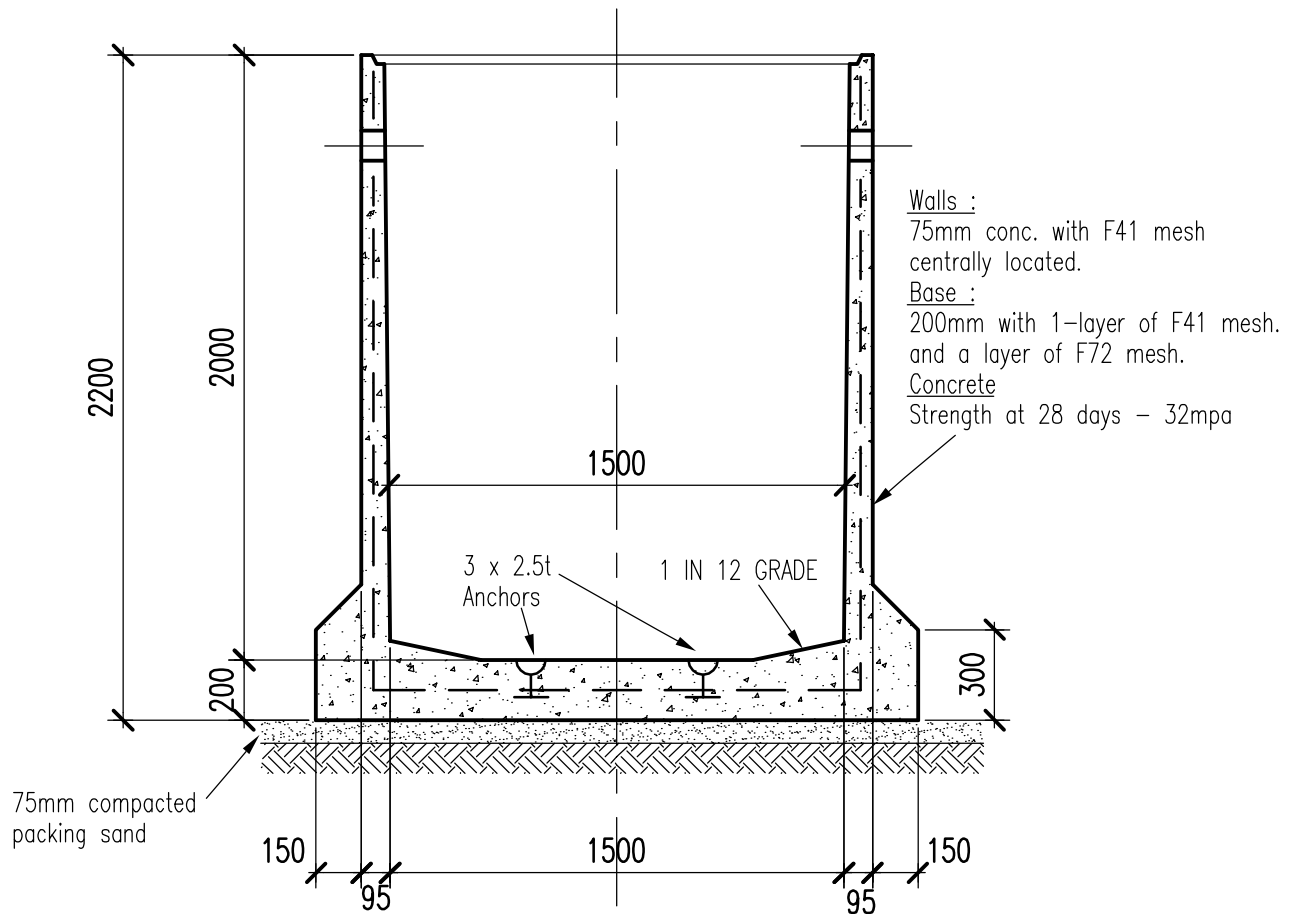
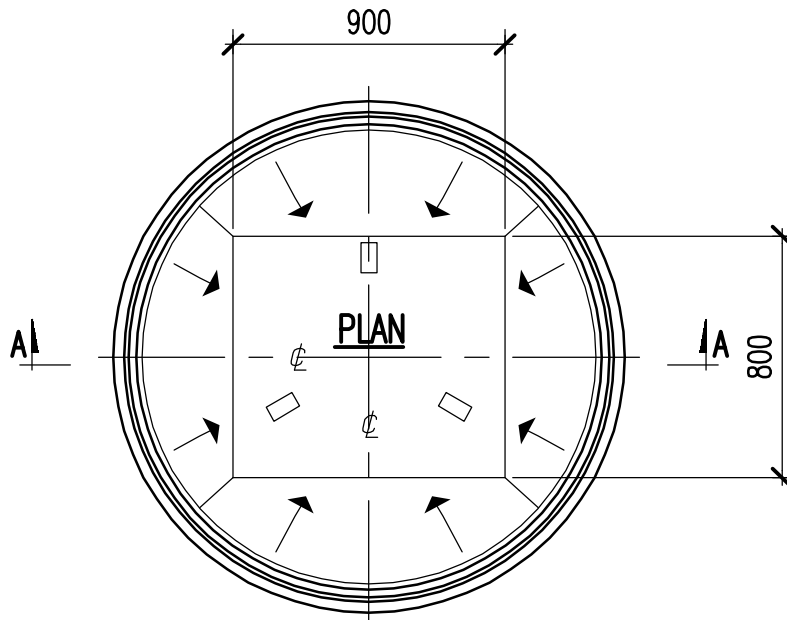


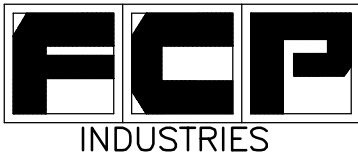
Resi Well – 1500 dia x 2000 deep – 3500 Litres



SECTION A-A



Capacity – 3500 Litres (approx)
Mass – 5600 Kgs (approx)



Frankston Concrete Products

30-44 MILES GROVE
P.O.Box 306
SEAFORD, VICTORIA 3198

Tel.(03)9786 3111 Fax.(03)9786 3208
web site - www.frankstonconcrete.com.au
email - sales@frankstonconcrete.com.au

DRAWN	M.D.S.
CHECKED	M.M.
APPROVED	N.Z.
DRG. No.	FCP/RW1500