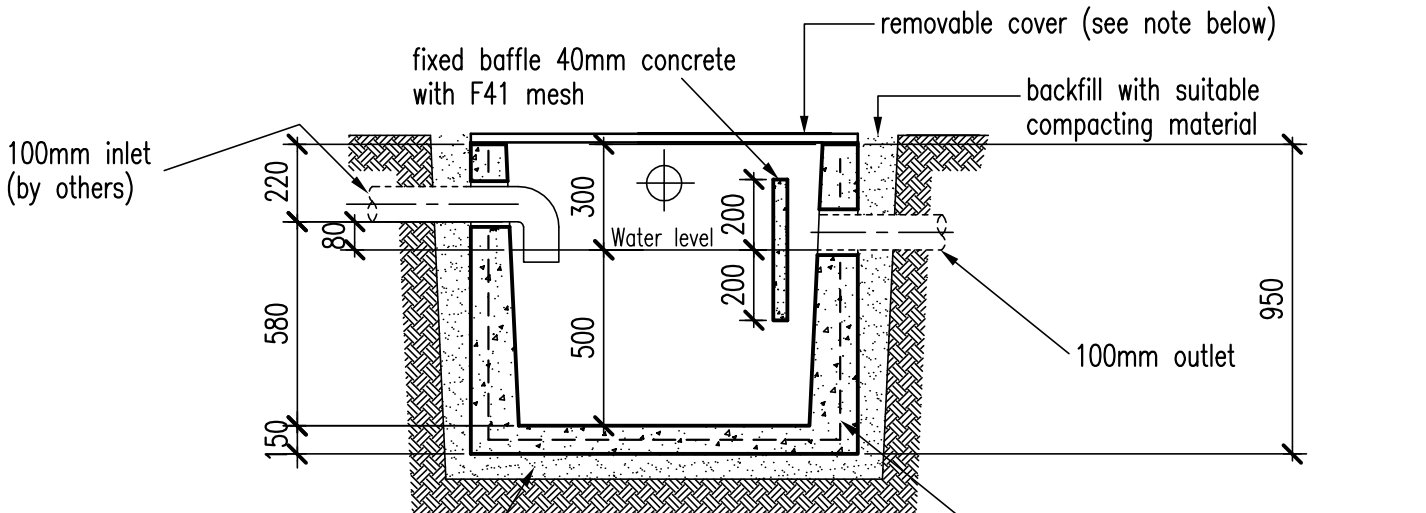
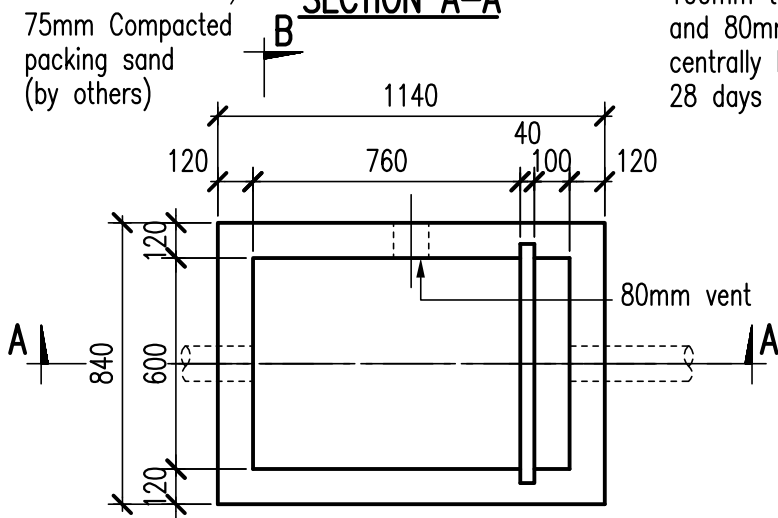


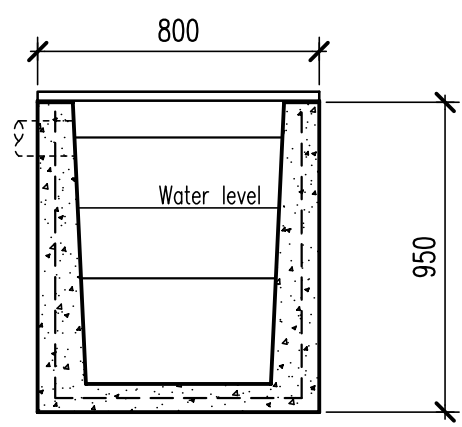
# 270 Litre Settling Tank



**SECTION A-A**



**PLAN**



**SECTION B-B**

- NOTE :-
- extension risers made to exact depth required min. height 300mm.
  - available cover sets :-
    - light duty
    - medium duty
    - heavy duty
  - O/all ext'l. dimensions of pit :-
    - 840mm wide x 1140mm long x 950mm deep.
  - interceptor to be installed connected, vented and provided with covers in accordance with requirements of local authorities.
  - all dimensions in millimetres
  - weight 815 Kg

## MELBOURNE WATER TYPE



**Frankston Concrete Products**

30-44 MILES GROVE  
P.O.Box 306  
SEAFORD, VICTORIA 3198

Tel.(03)9786 3111 Fax.(03)9786 3208  
web site - www.frankstonconcrete.com.au  
email - sales@frankstonconcrete.com.au

DRAWN	M.D.S.
CHECKED	M.M.
APPROVED	N.Z.
DRAWING No.	83/27