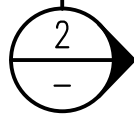
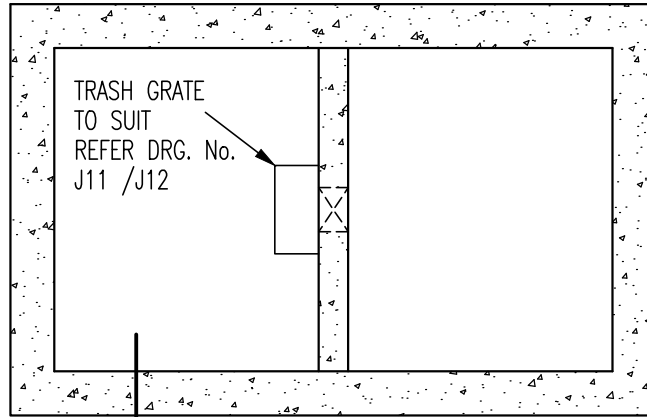
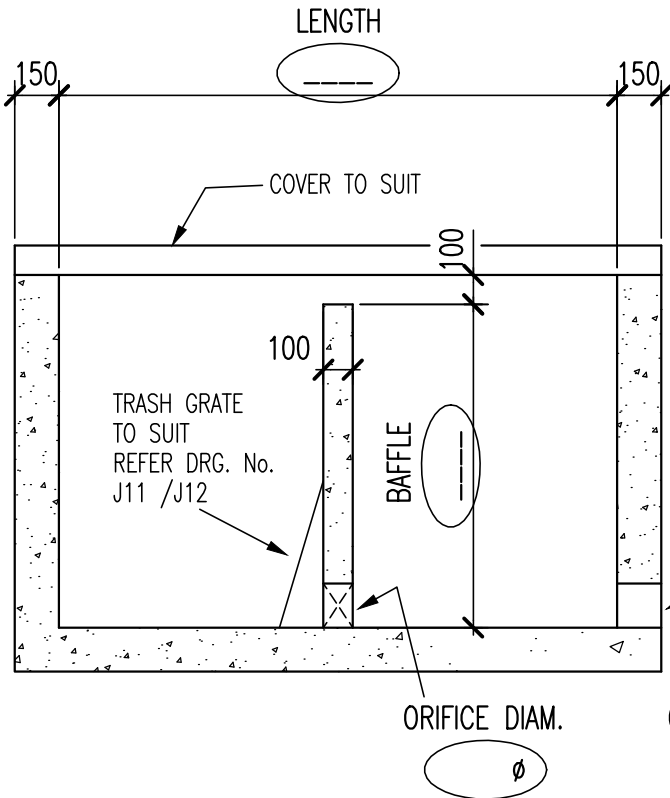
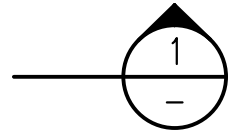


ORIFICE PIT / RETENTION PIT

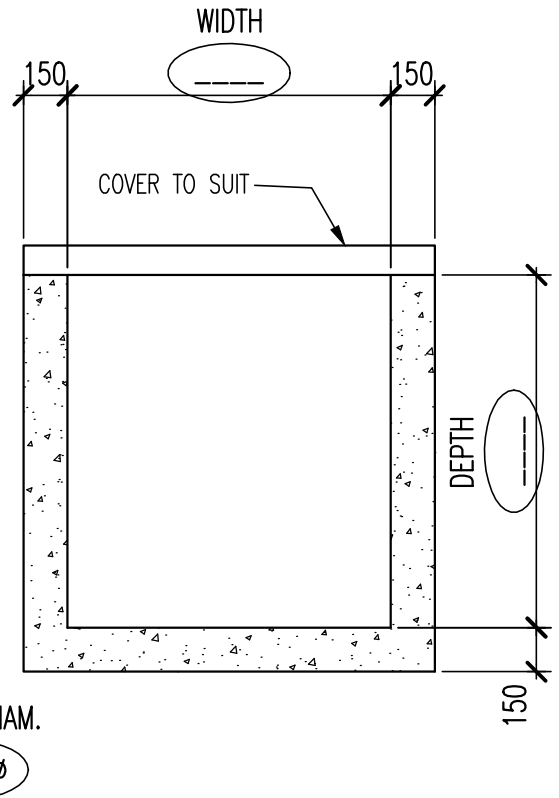
***** Fill In You Orifice Details *****



PLAN



SECTION 1



SECTION 2

COVER DETAILS

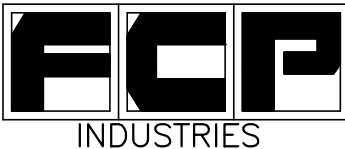
COVER TYPE :-

COVER DUTY :-

INLET DETAILS

PIPE DIAMETER :-

40 MPa CONCRETE
LIFTERS AS REQUIRED.
WEIGHT



Frankston Concrete Products

30-44 MILES GROVE
P.O.Box 306
SEAFORD, VICTORIA 3198

Tel.(03)9786 3111 Fax.(03)9786 3208
web site - www.frankstonconcrete.com.au
email - sales@frankstonconcrete.com.au

DRAWN	M.D.S.
CHECKED	M.M.
APPROVED	P.Z.
DRG. No.	FCP/Orifice