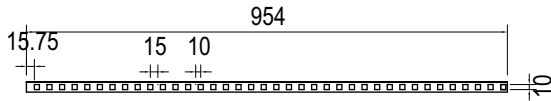
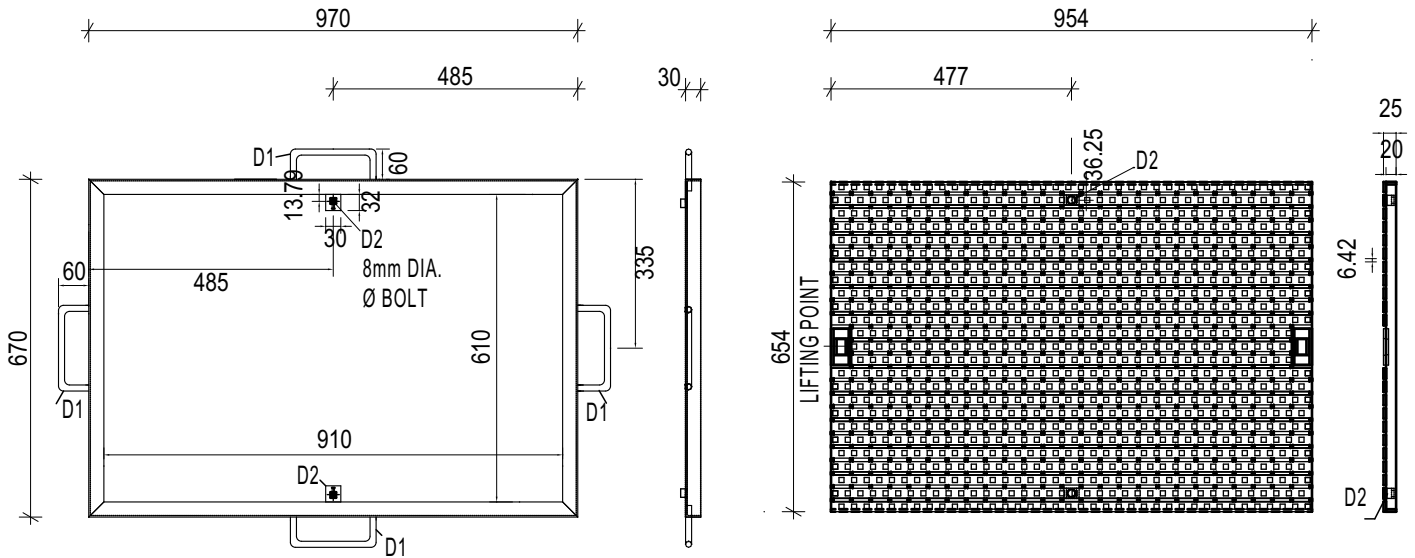


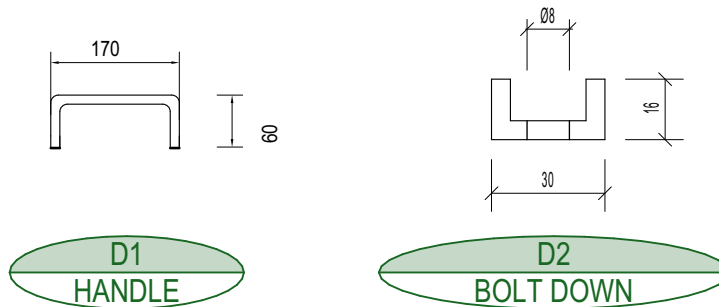
# HEEL GUARD NON-SLIP GALVANISED GRATE AND FRAME

## 600x900 LIGHT DUTY



NON SLIP FLAT BAR DETAIL

GRATE SECTION DETAIL



MATERIAL MILD STEEL  
 FINISH HOT DIP GALVANISED TO AS1650  
 MASS 45kg approx.

SLIP RESISTANCE CLASSIFICATION TO AS4586-2013  
 CERTIFIED 13 NOV. 2020  
 NATA ACCREDITATION NO. 14967

**P4**

### GRATE & FRAME - HEEL GUARD

Product Code: HG69B

ALL DIMENSIONS IN MILLIMETRES  
 (NOT TO SCALE)

9 COLEMANS ROAD  
 DANDENONG SOUTH VIC. 3175  
 03 9786 3111  
 sales@frankstonconcrete.com.au  
 www.frankstonconcrete.com.au

