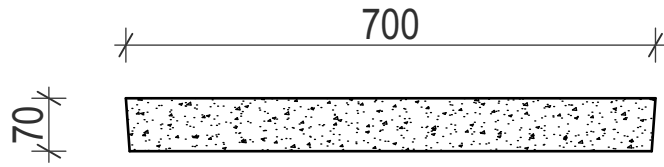
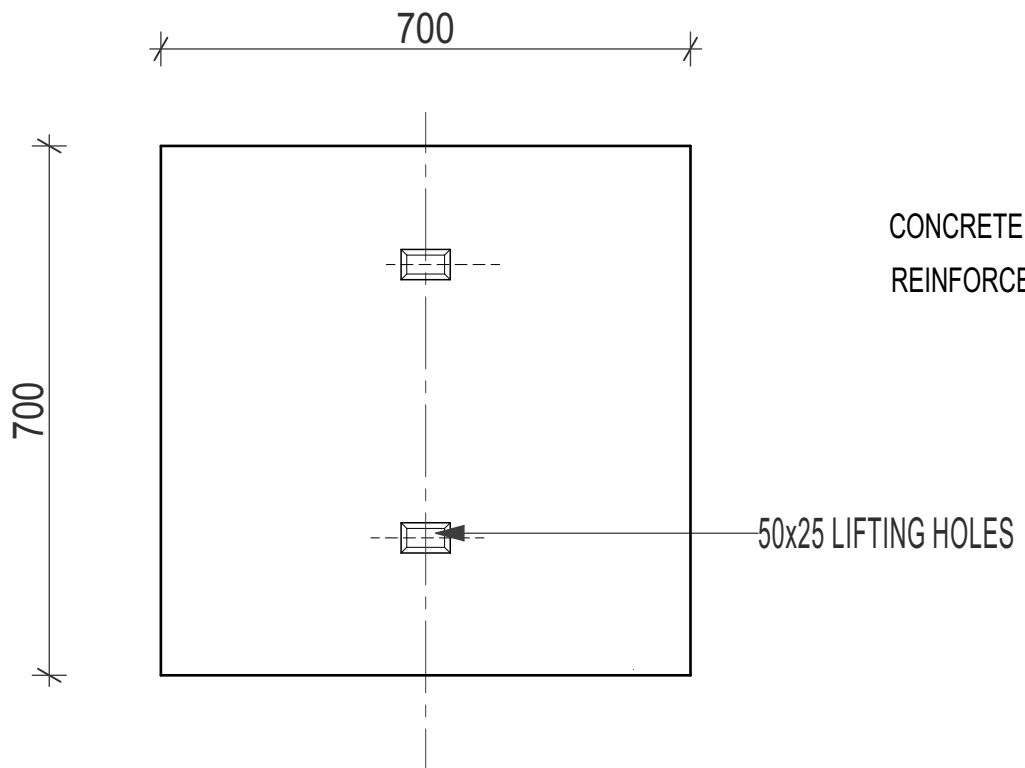


700 x 700 x 70 Concrete Lid



SECTION A-A



CONCRETE 40Mpa
REINFORCEMENT F72

PLAN

WEIGHT : 85 kg