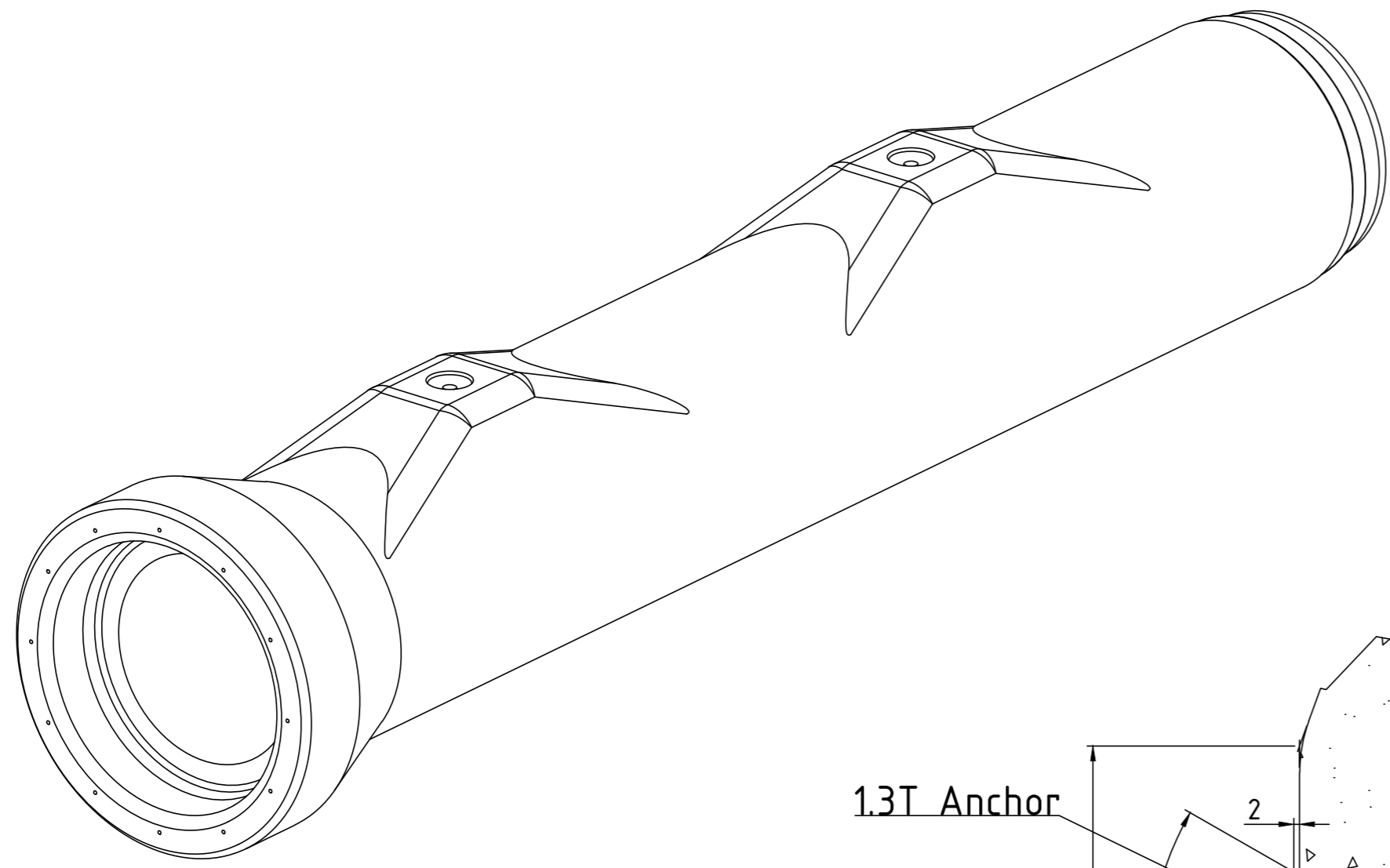
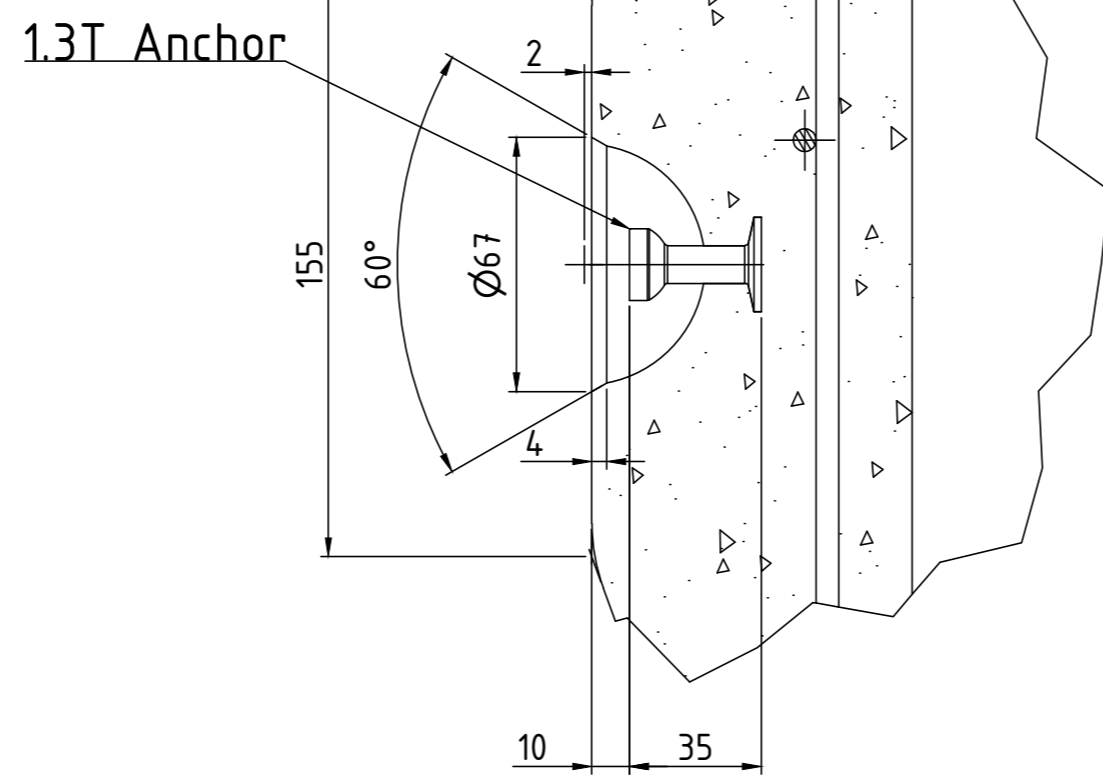


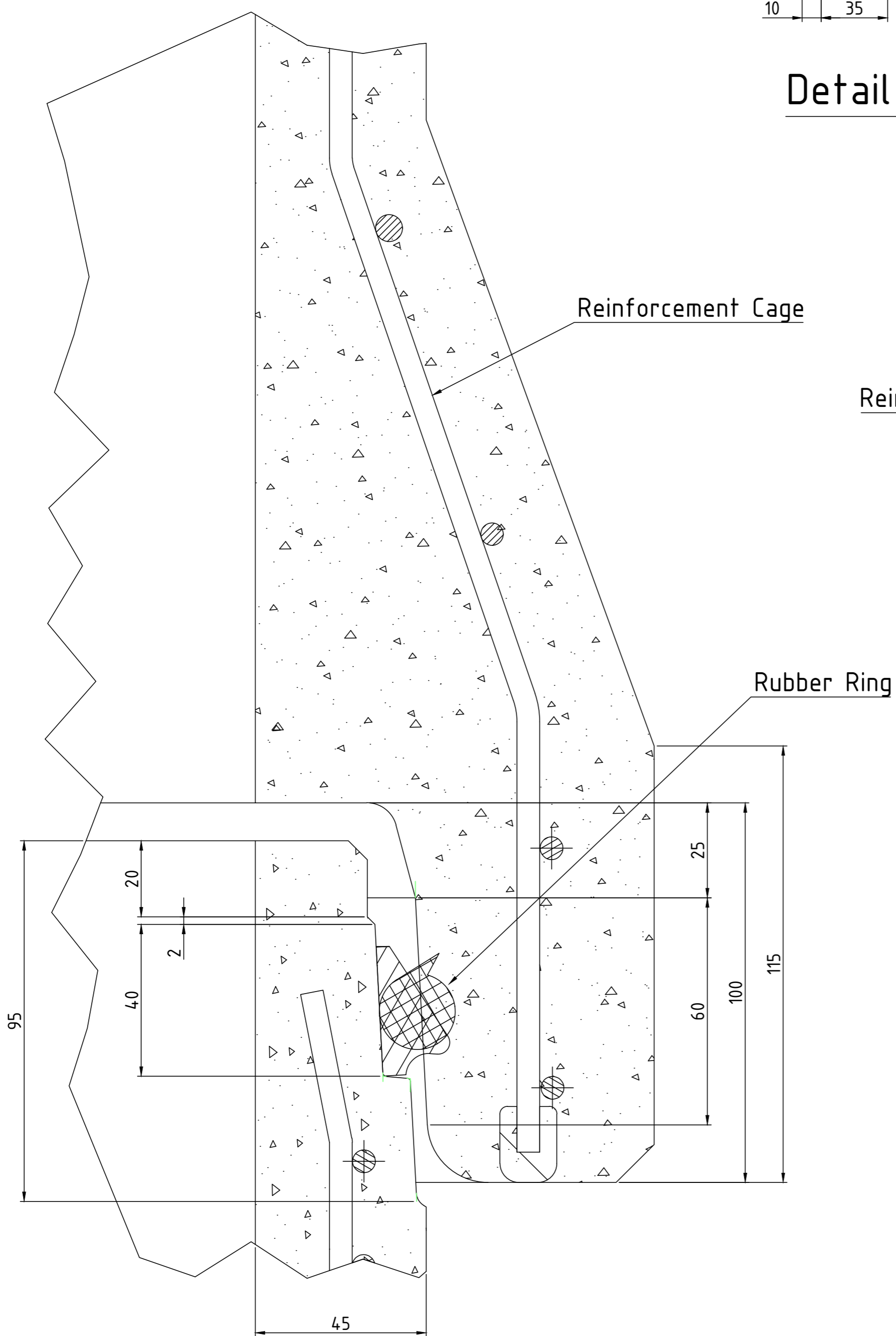
300 Diameter Concrete Pipe



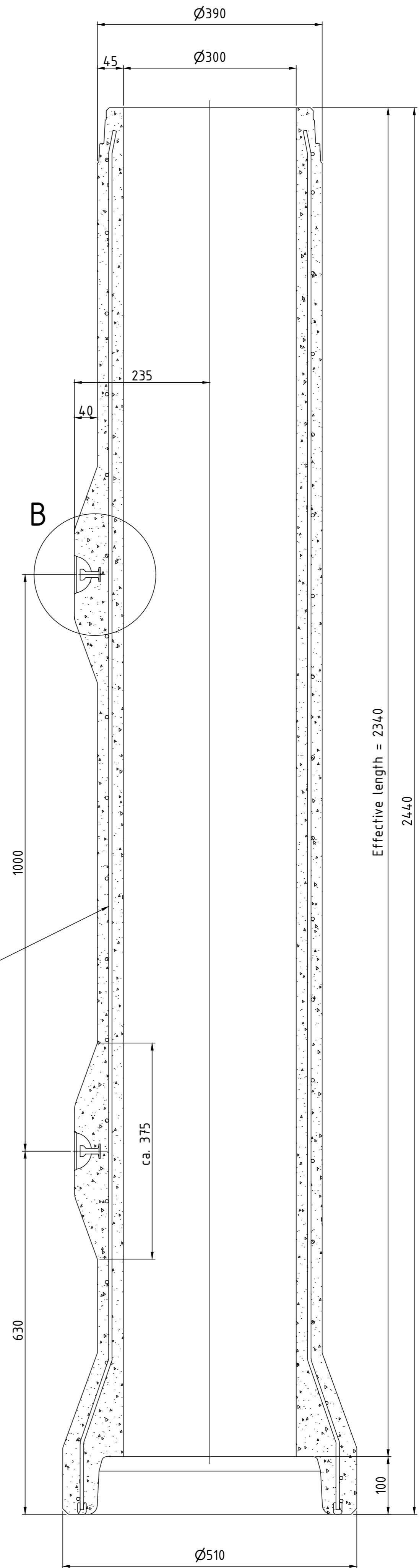
3D View



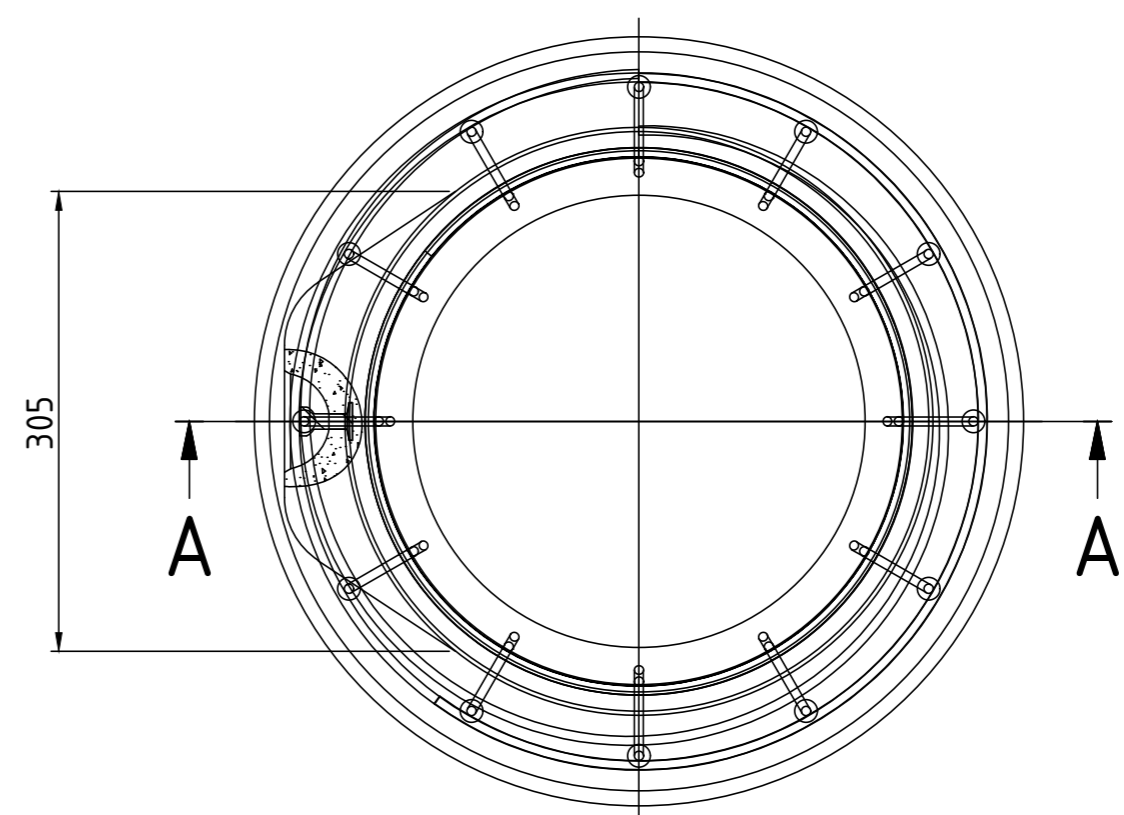
Detail B



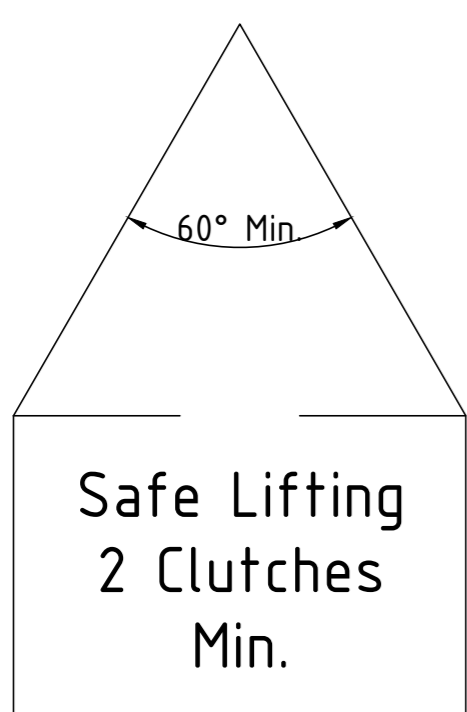
Pipe Joining Detail



Section A-A



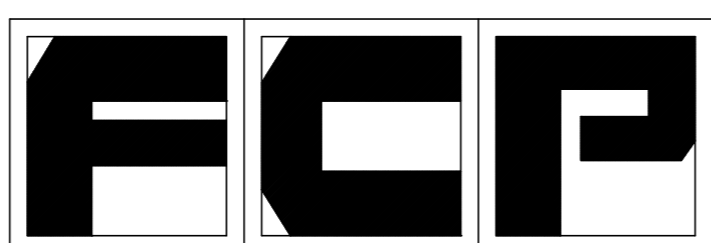
Plan View



Safe Lifting Detail

LINKS

Stormwater
Photographs



Frankston Concrete Products

9 Colemans Road
Dandenong South
VICTORIA 3175

Tel.(03)9786 3111 Fax.(03)9786 3208
web site - www.frankstonconcrete.com.au
email - sales@frankstonconcrete.com.au

DRAWN	M.D.S.
CHECKED	
APPROVED	N.Z.
SKU	PIPE300