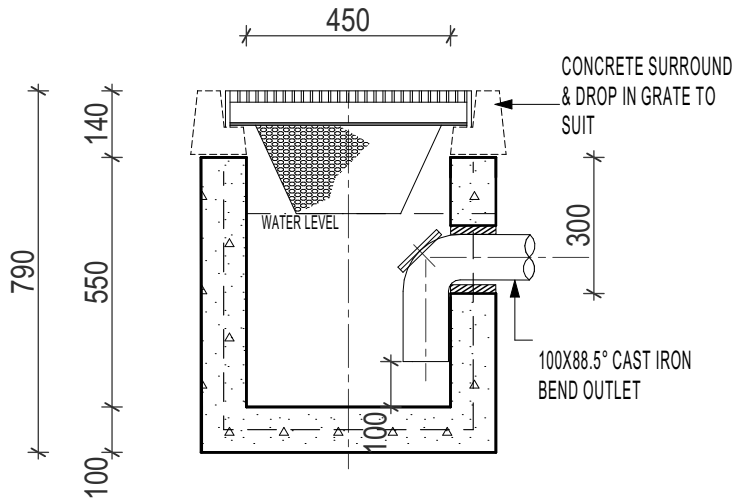
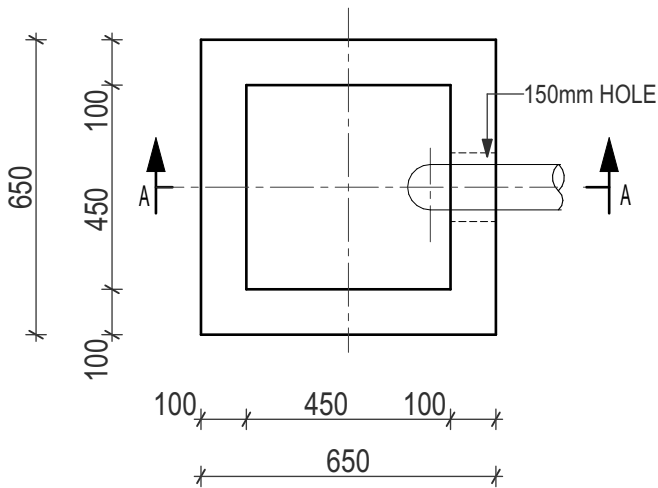


STRAINING PIT

MELBOURNE WATER TYPE 4A

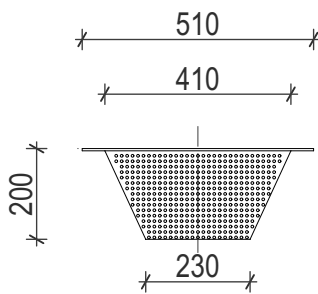


SECTION A-A

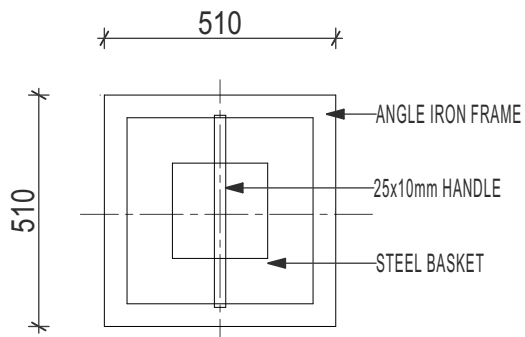


PIT PLAN

CONCRETE 28 days 40mpa
 REINFORCEMENT F72
 LIFTERS 4 x 1.3t



ELEVATION



BASKET PLAN

BASKET SPECIFICATIONS
 3mm THICK GALVANISED STEEL
 PLATE WITH 6mm DIA HOLES AT
 12 mm CENTRES

INTERCEPTOR TO BE
 INSTALLED, CONNECTED,
 VENTED & PROVIDED WITH
 COVERS IN ACCORDANCE
 WITH LOCAL AUTHORITY.