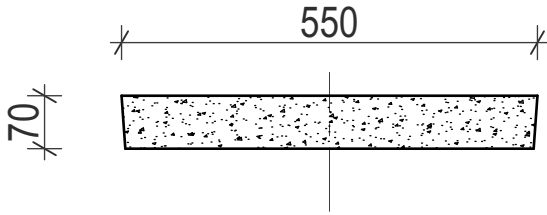
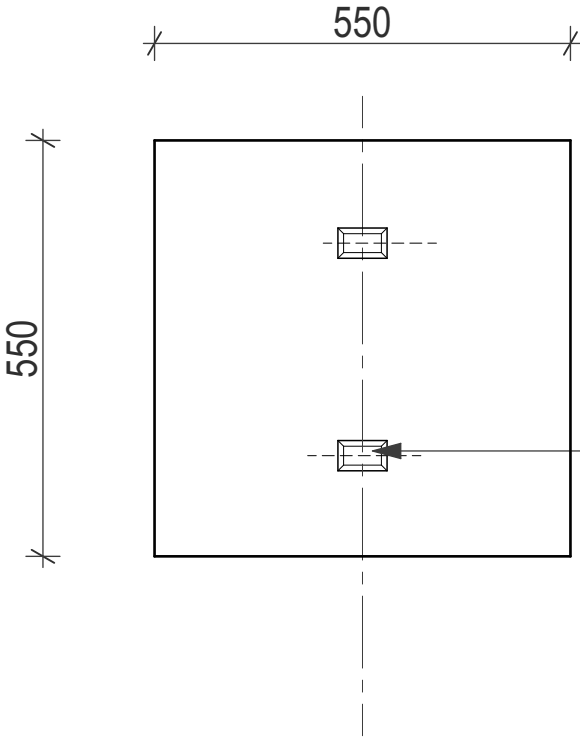


550 x 550 Concrete Lid



SECTION A-A



CONCRETE 40Mpa
REINFORCEMENT F72

50x25 LIFTING HOLES

PLAN

WEIGHT : 53 kg



9 COLEMANS ROAD
DANDENONG SOUTH VIC.
3175

03 9786 3111
sales@frankstonconcrete.com.au
www.frankstonconcrete.com.au

SKU CS550

ALL DIMENSIONS IN MILLIMETRES (NOT TO SCALE) DRAWN: CZ
ISSUE: JUNE 2023