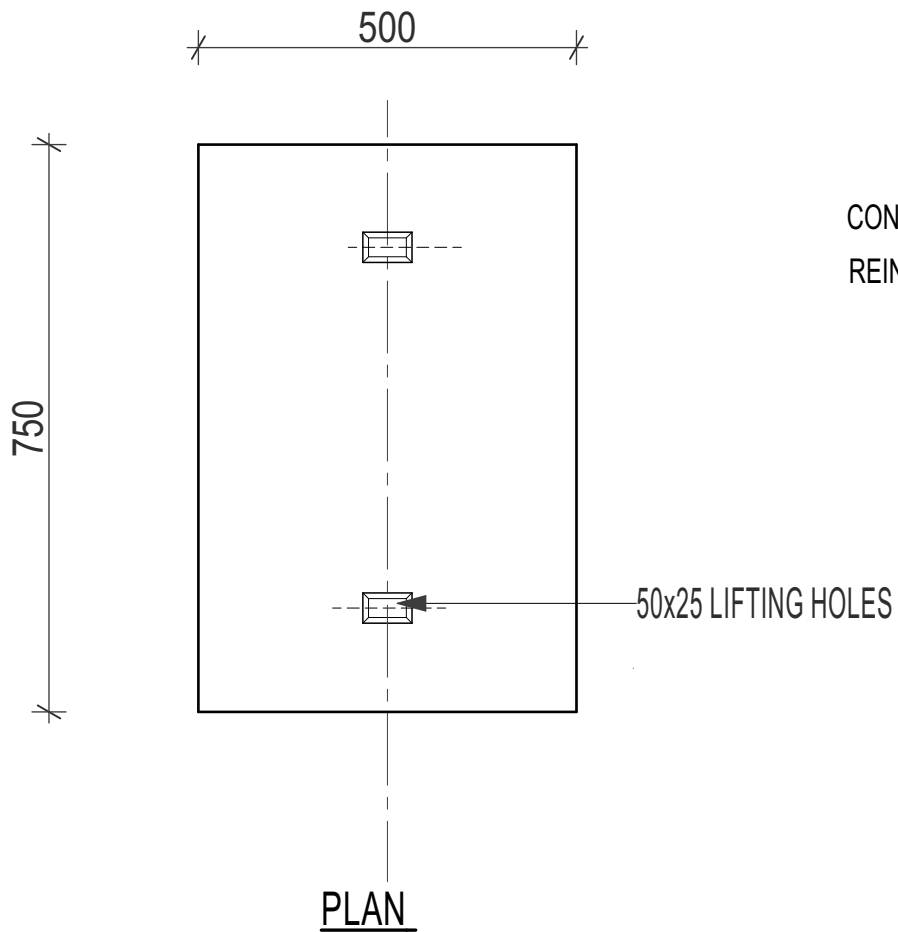
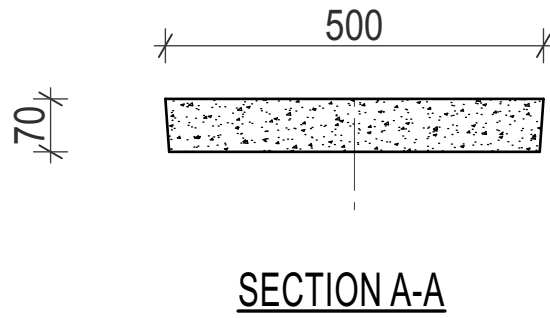


500 x 750 Concrete Lid



CONCRETE 40Mpa
REINFORCEMENT F72

WEIGHT : 66 kg