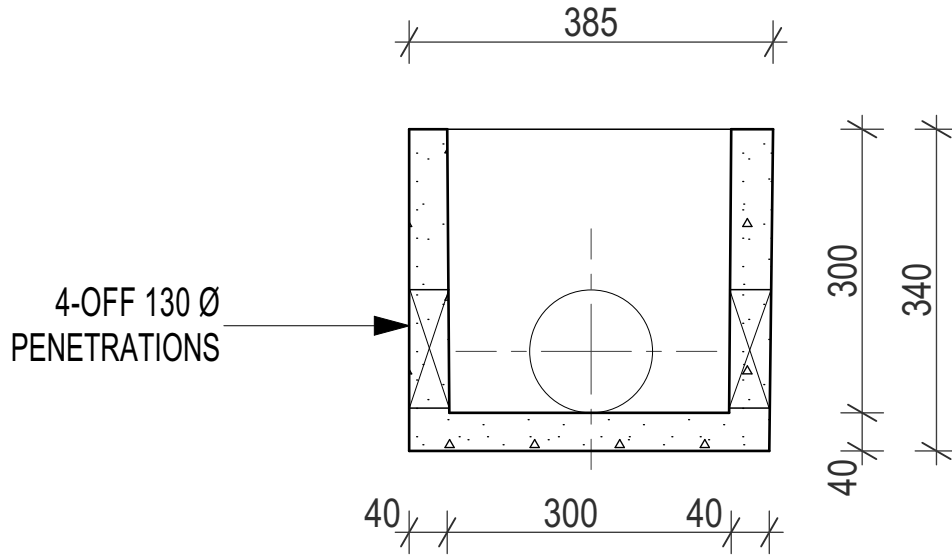
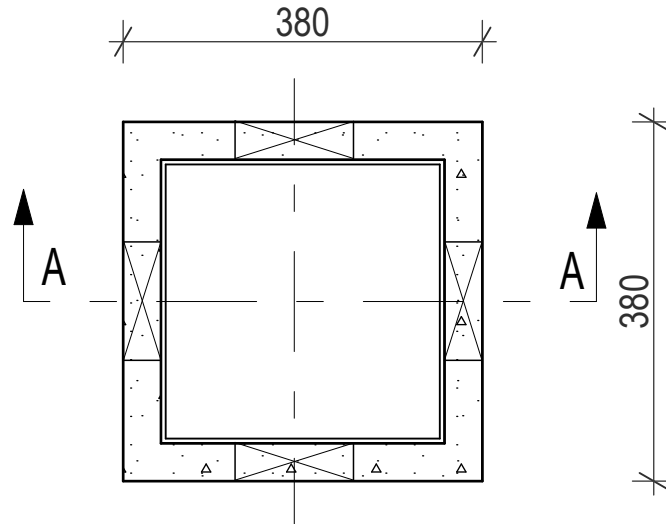


300 x 300 Distribution Pit



SECTION A-A



PLAN

32 MPa CONCRETE

WEIGHT approx. 35kg