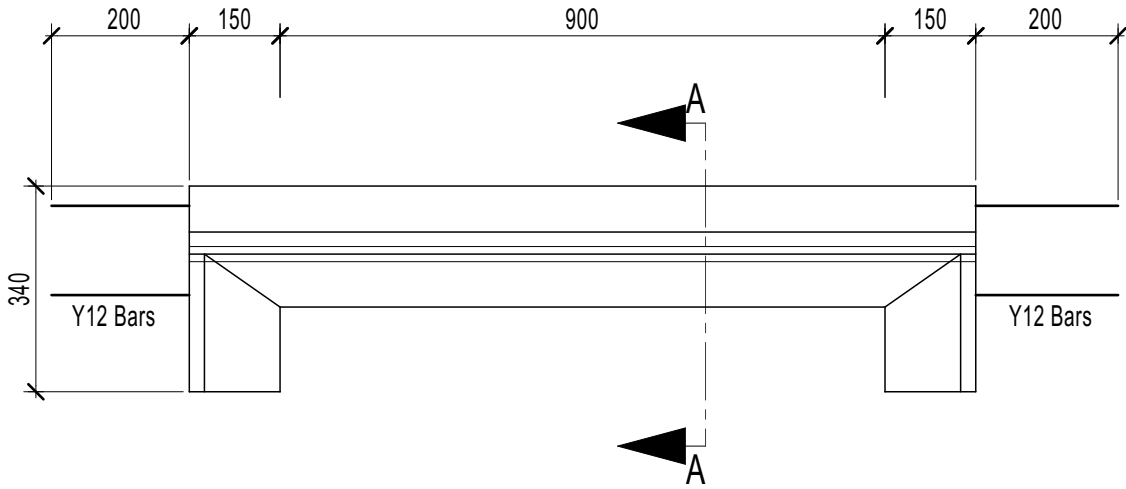
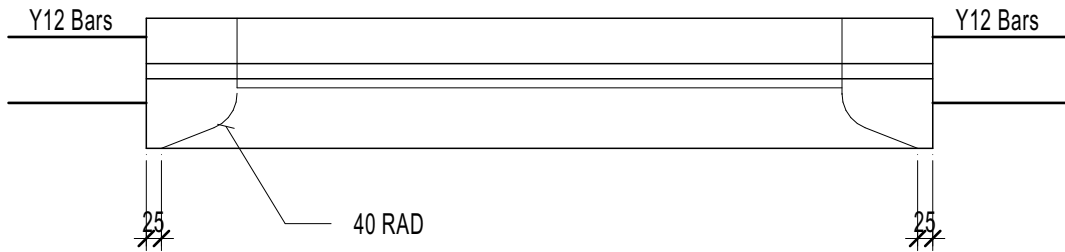


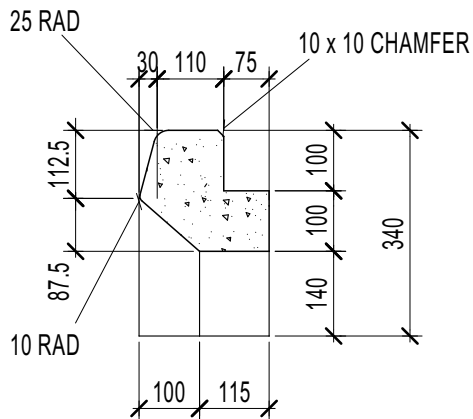
# Standard 'B' Type Lintel



**ELEVATION**



**PLAN**



32 MPa CONCRETE

**SECTION A-A**

WEIGHT 89kg