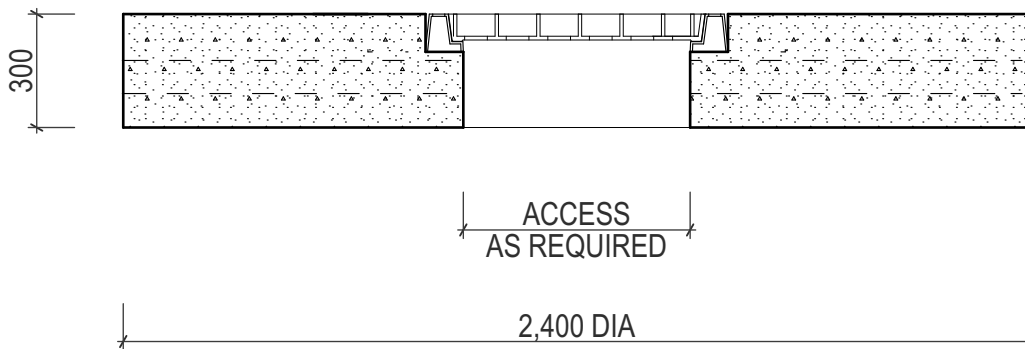
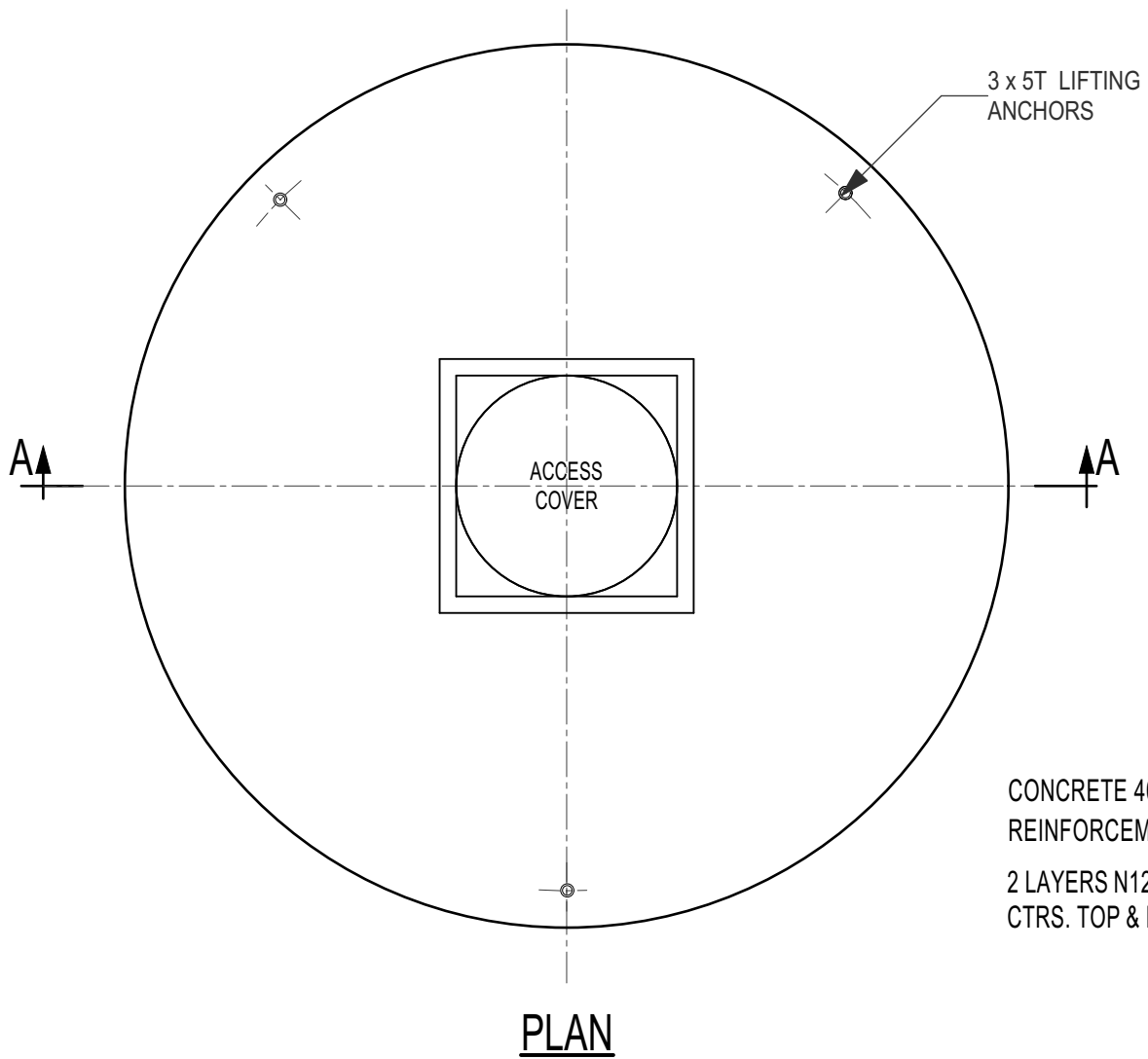


# 2400 dia Circ. Pit Cover



## SECTION A-A

Mass - 3390 Kgs (approx)

COVER LOCATION & SIZE  
SPECIFIED MUST BE SUITABLE  
TO ACCOMODATE PUMP  
REMOVAL

AVAILABLE WITH SEALED LID  
OR GRATE LIGHT, MEDIUM or  
HEAVY DUTY



9 COLEMANS ROAD  
DANDENONG SOUTH VIC.  
3175

03 9786 3111  
sales@frankstonconcrete.com.au  
www.frankstonconcrete.com.au

SKU PWDECK2100

ALL DIMENSIONS IN MILLIMETRES  
(NOT TO SCALE) DRAWN: CZ  
ISSUE: MAY 2023