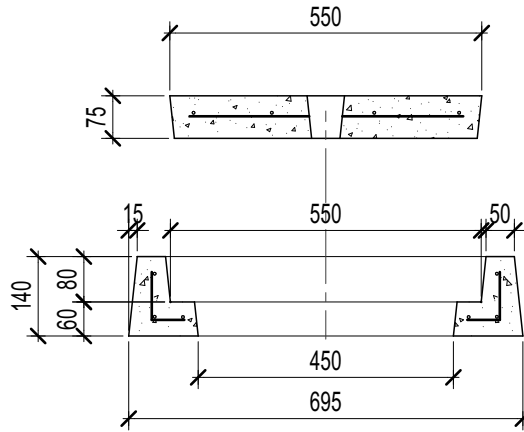
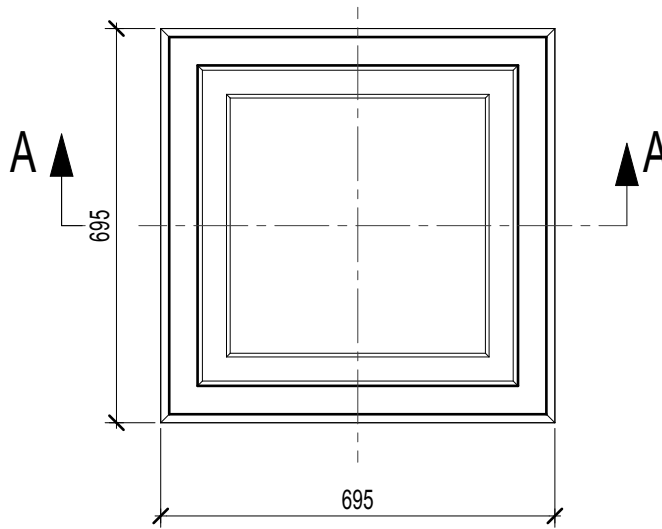


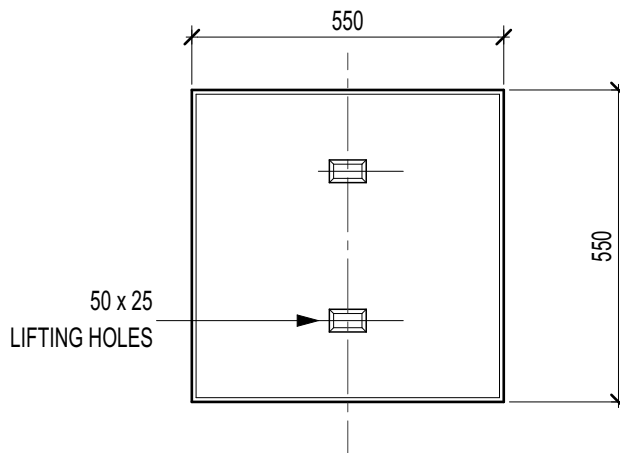
450 x 450 Surround & Lid



SECTION A-A



PLAN - SURROUND



PLAN - INSERT

CONCRETE 40Mpa
 REINFORCEMENT
 SURROUNDS - N12
 INSERTS - F72

WEIGHT :-
 SURROUND 70 kg
 INSERT 55 kg