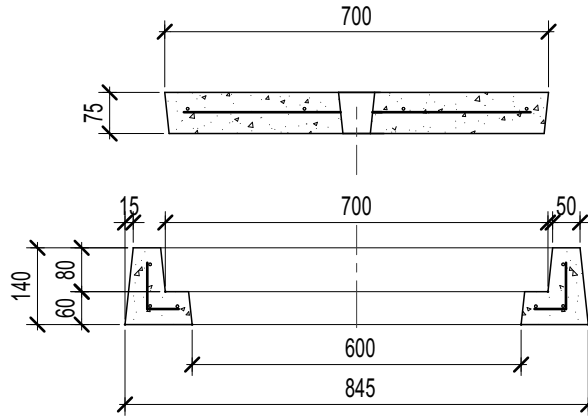
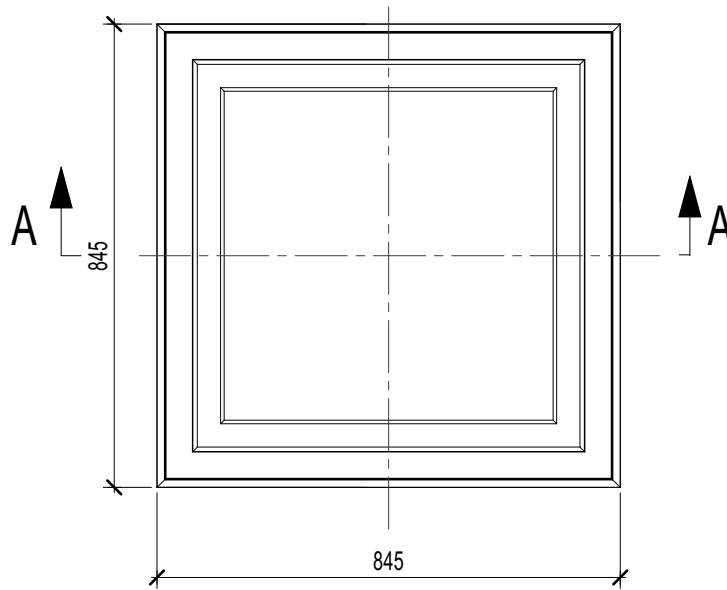


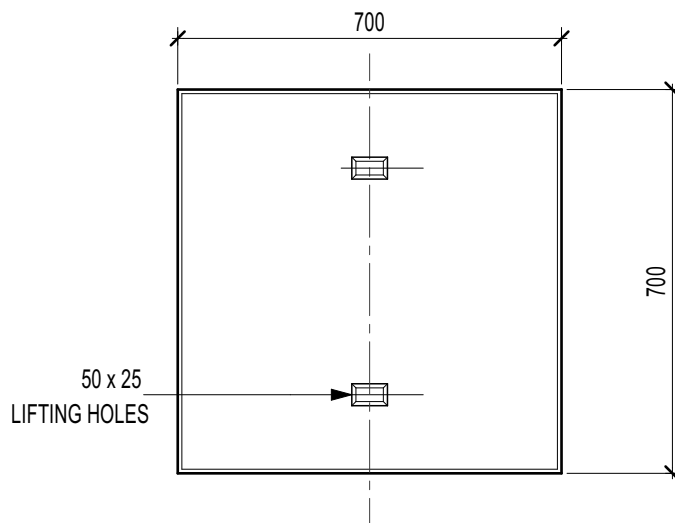
# 600 x 600 Surround & Lid



**SECTION A-A**



**PLAN - SURROUND**



**PLAN - INSERT**

CONCRETE 40Mpa  
 REINFORCEMENT  
 SURROUNDS - N12  
 INSERTS - F72

WEIGHT :-  
 SURROUND 92 kg  
 INSERT 90 kg