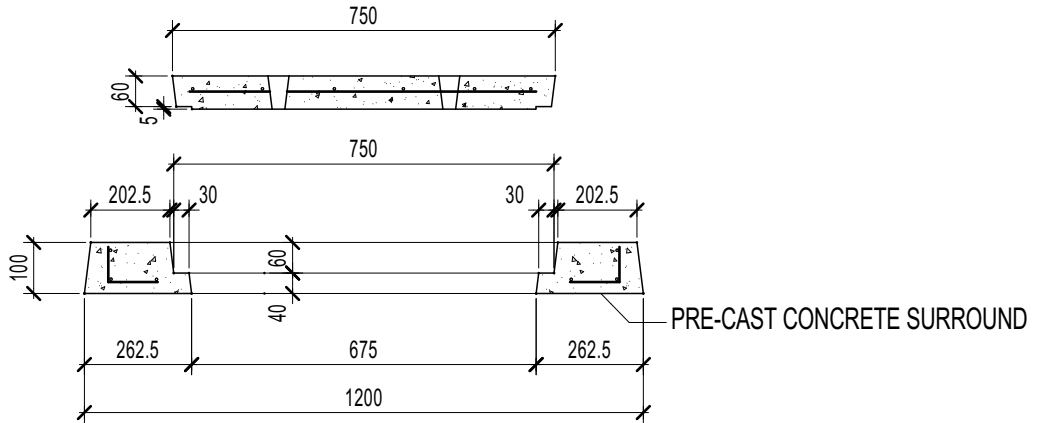
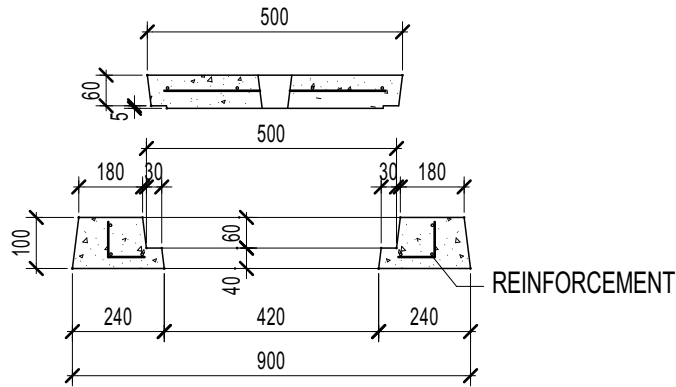


1200 x 900 Surround & Lid

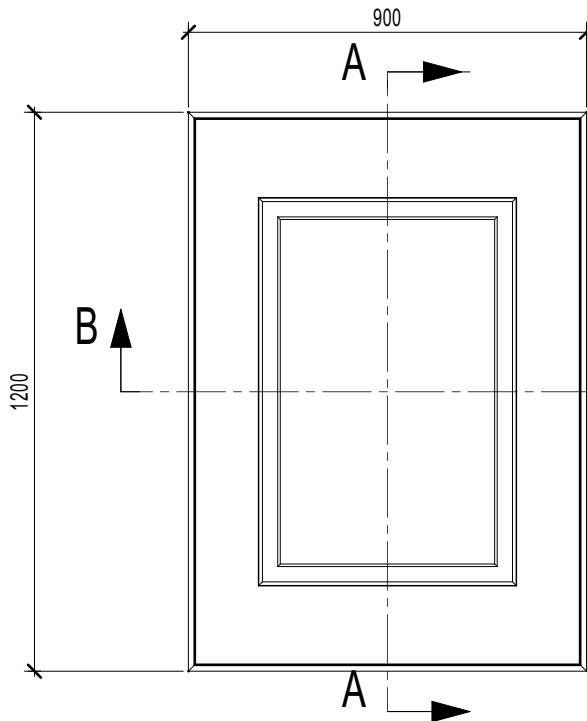


SECTION A-A

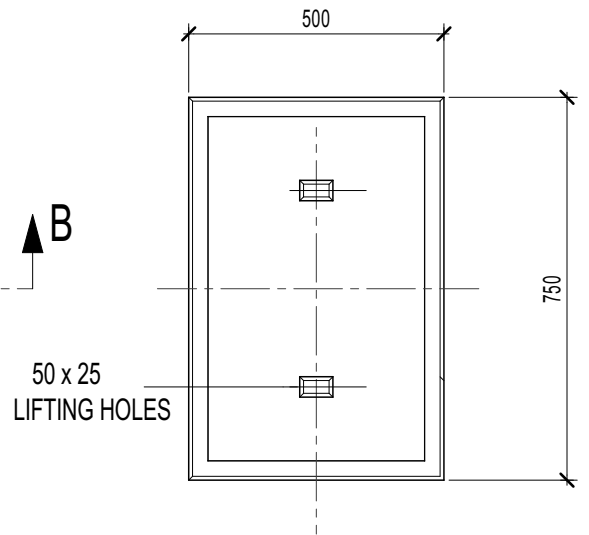


SECTION B-B

CONCRETE 40Mpa
 REINFORCEMENT
 SURROUNDS - N12
 INSERTS - F72
 LIFTERS 2x1.3ton



PLAN - SURROUND



PLAN - INSERT

WEIGHT :-
 SURROUND 178 kg
 INSERT 58 kg