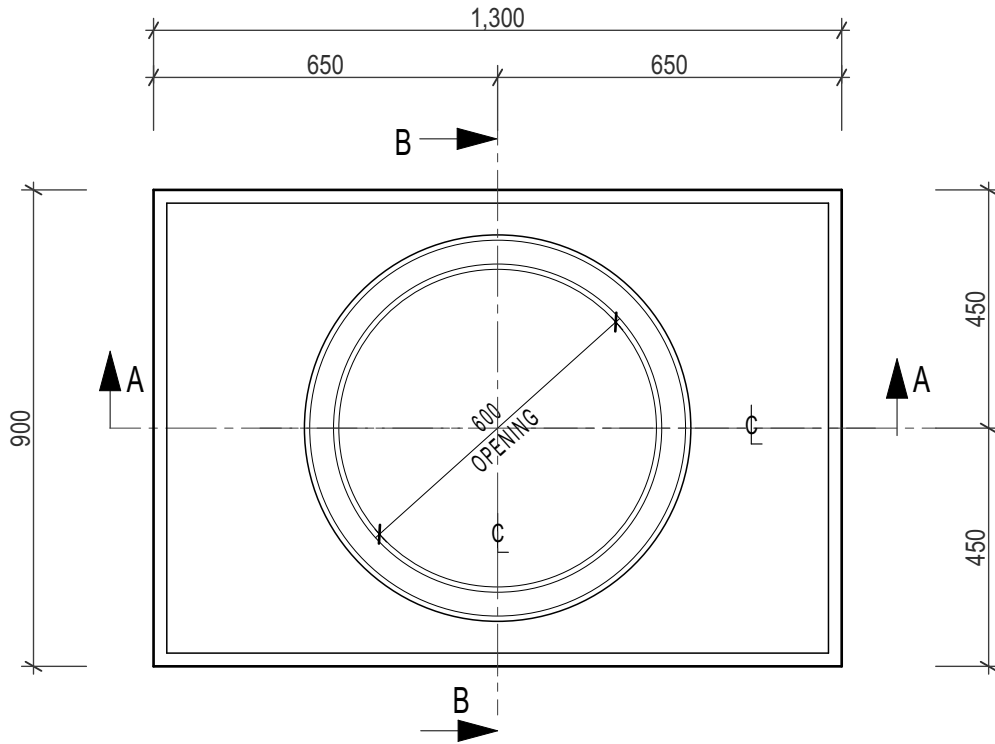
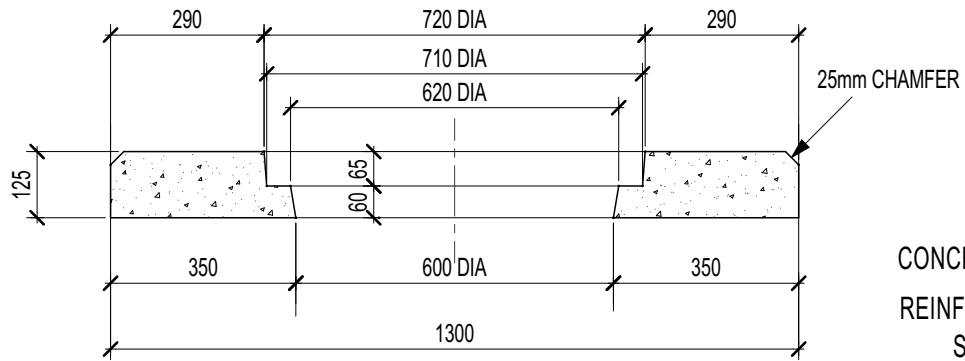


1300 x 900 Side Entry Pit Access Covers

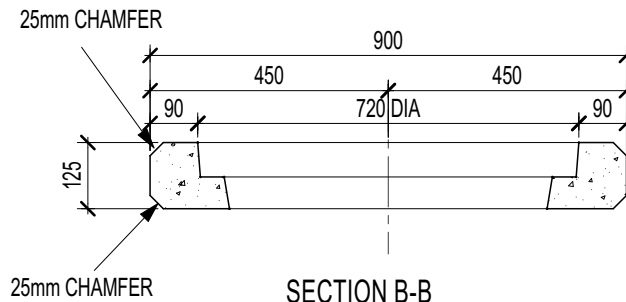


PLAN



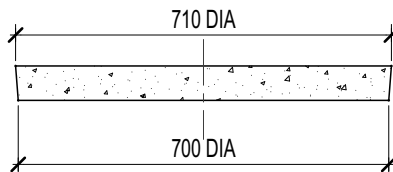
SECTION A-A

CONCRETE 40Mpa
 REINFORCEMENT
 SURROUNDS - N12
 INSERTS - F72
 LIFTERS 2x1.3ton



SECTION B-B

WEIGHT :-
 SURROUND 246 kg
 INSERT 62.5 kg



CIRCULAR LID