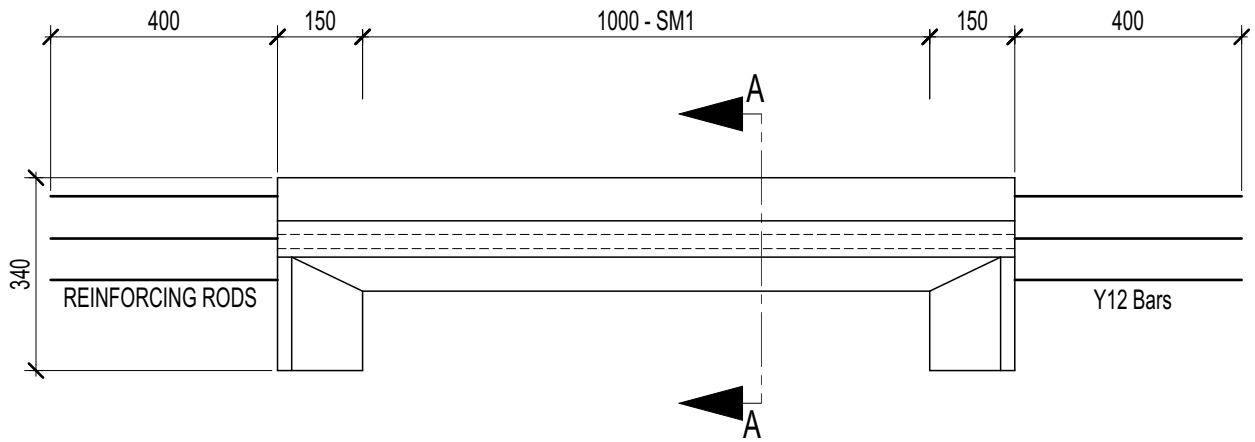
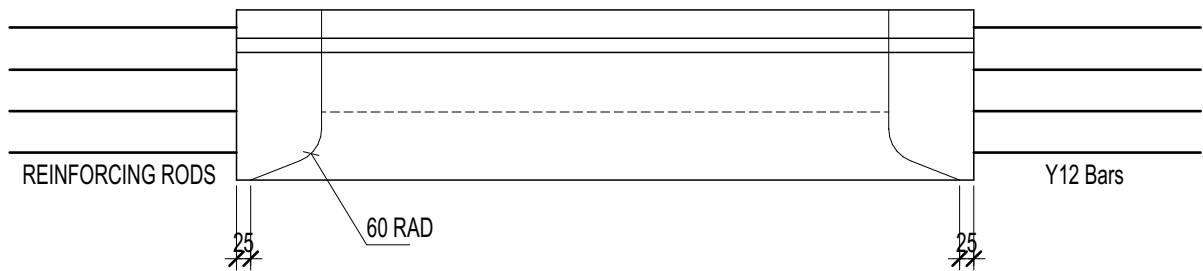


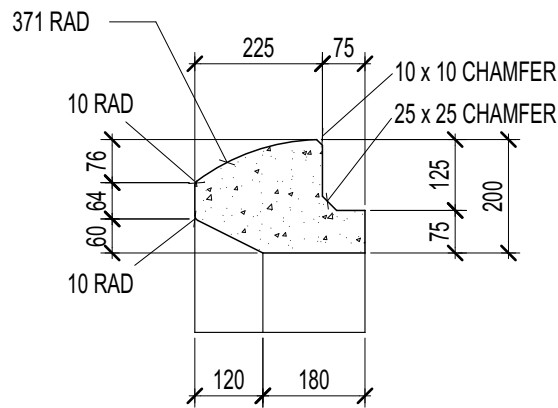
# VIC Roads 'SM' Lintel



**ELEVATION**



**PLAN**



**SECTION A-A**

32 MPa CONCRETE  
VIC ROADS DRAWING  
No. SD 1061

WEIGHT 216 kg