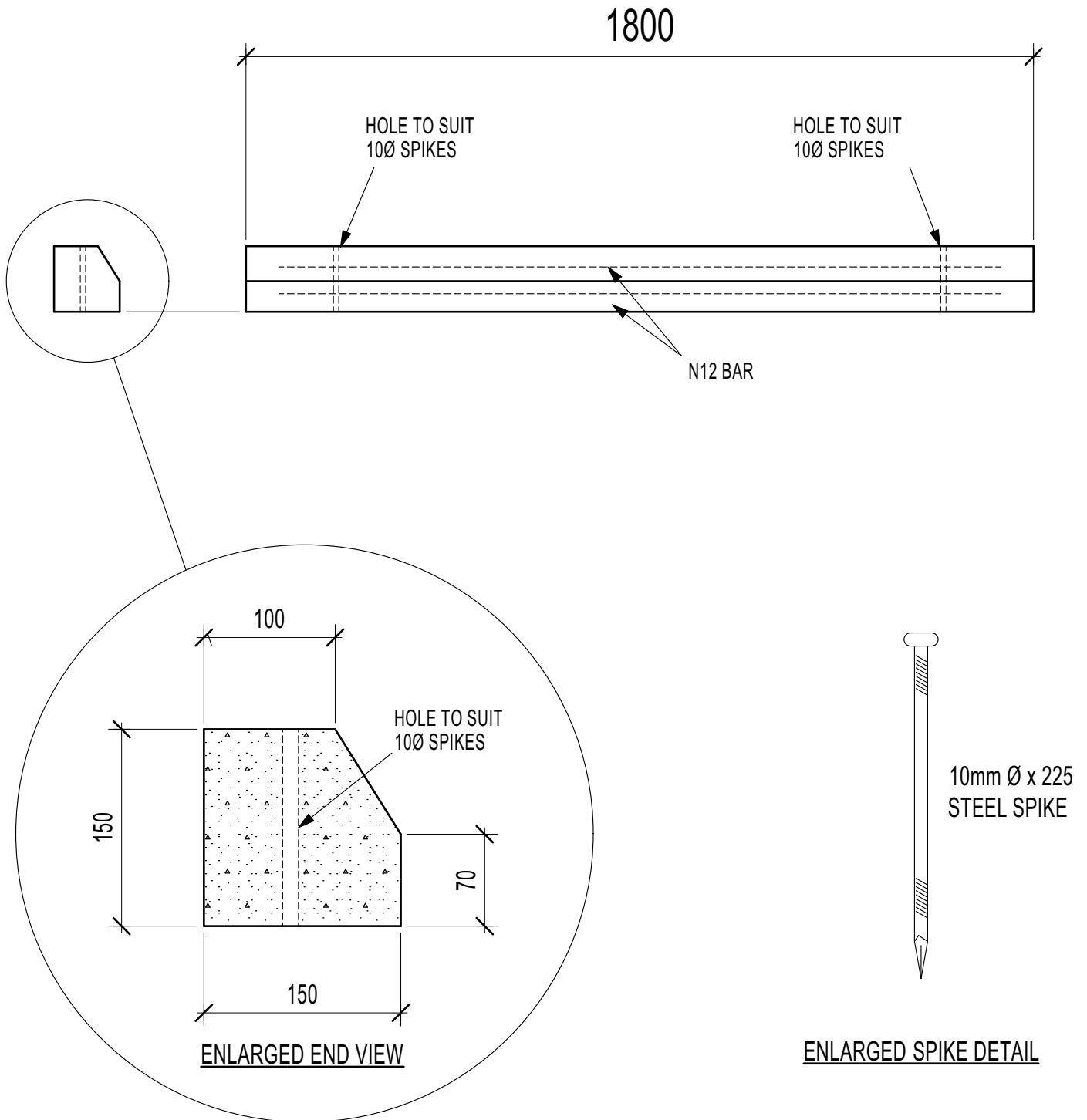


# Spiked Kerbing (1800 long)



WEIGHT : 100 kgs (approx)