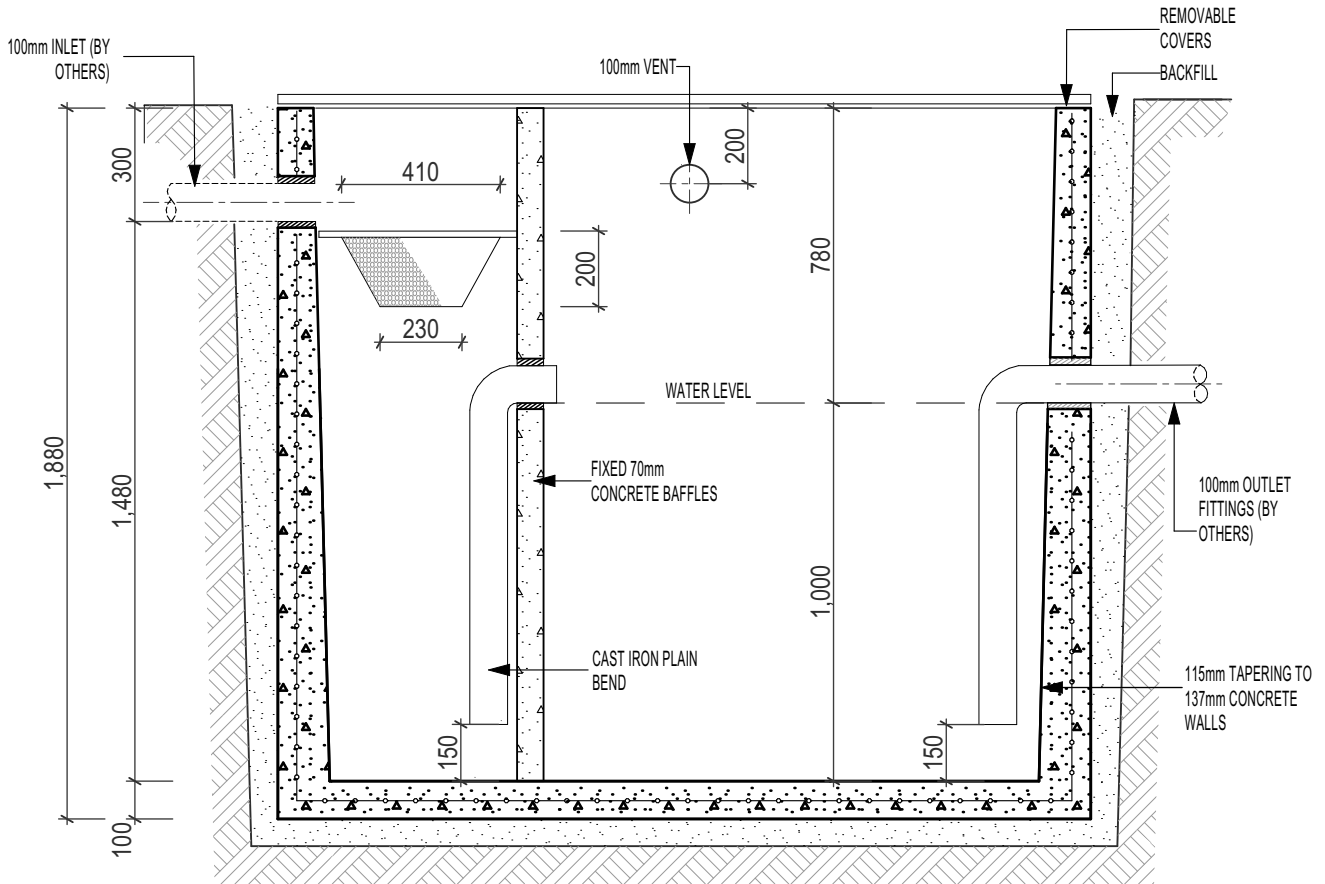
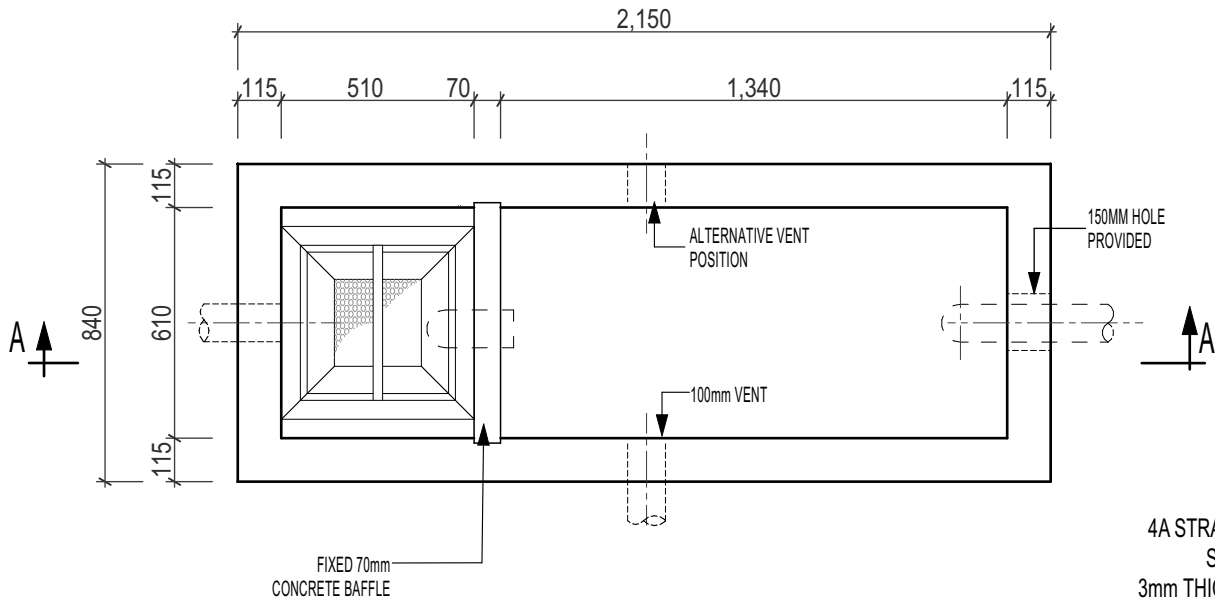


# 800 Litre COOLING & STRAINING PIT



**SECTION A-A**

CONCRETE 28 days 40mpa  
 REINFORCEMENT F72  
 LIFTERS 4 x 1.3 t



**PLAN**

WEIGHT 2720 KG

4A STRAINING BASKET-  
 SPECIFICATIONS  
 3mm THICK GALVANISED  
 STEEL PLATE WITH 6mm DIA  
 HOLES AT 12 mm CENTRES

INTERCEPTOR TO BE  
 INSTALLED, CONNECTED,  
 VENTED & PROVIDED WITH  
 COVERS IN ACCORDANCE  
 WITH LOCAL AUTHORITY.

CAST IRON ACCESS  
 COVERS TO SUIT:  
 - LIGHT DUTY (55MM) OR  
 - HEAVY DUTY (100MM)

EXTENSION RISERS MADE  
 TO REQUIRED DEPTH. MIN.  
 HEIGHT 300MM.