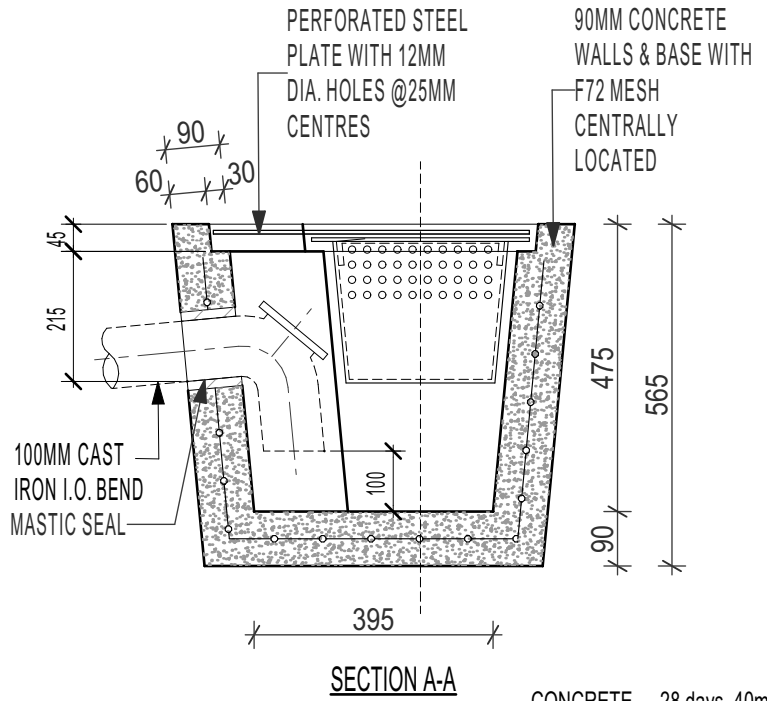
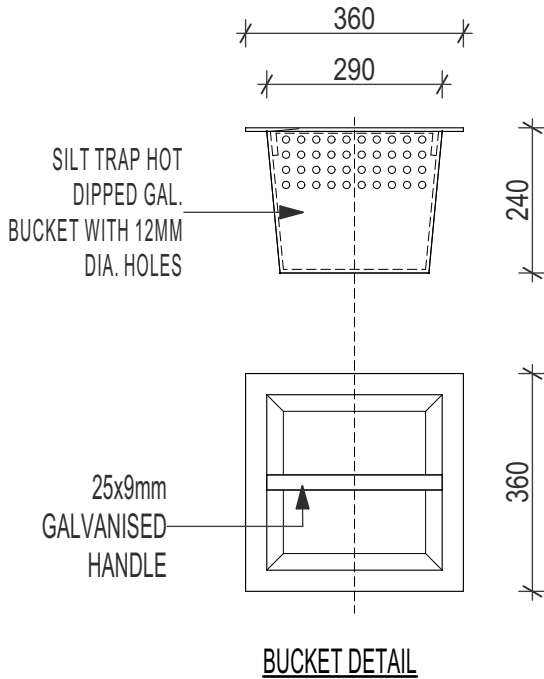


SILT PIT

MEBOURNE WATER TYPE 2A



CONCRETE 28 days 40mpa
 REINFORCEMENT F72
 LIFTERS 2 x 1.3t

