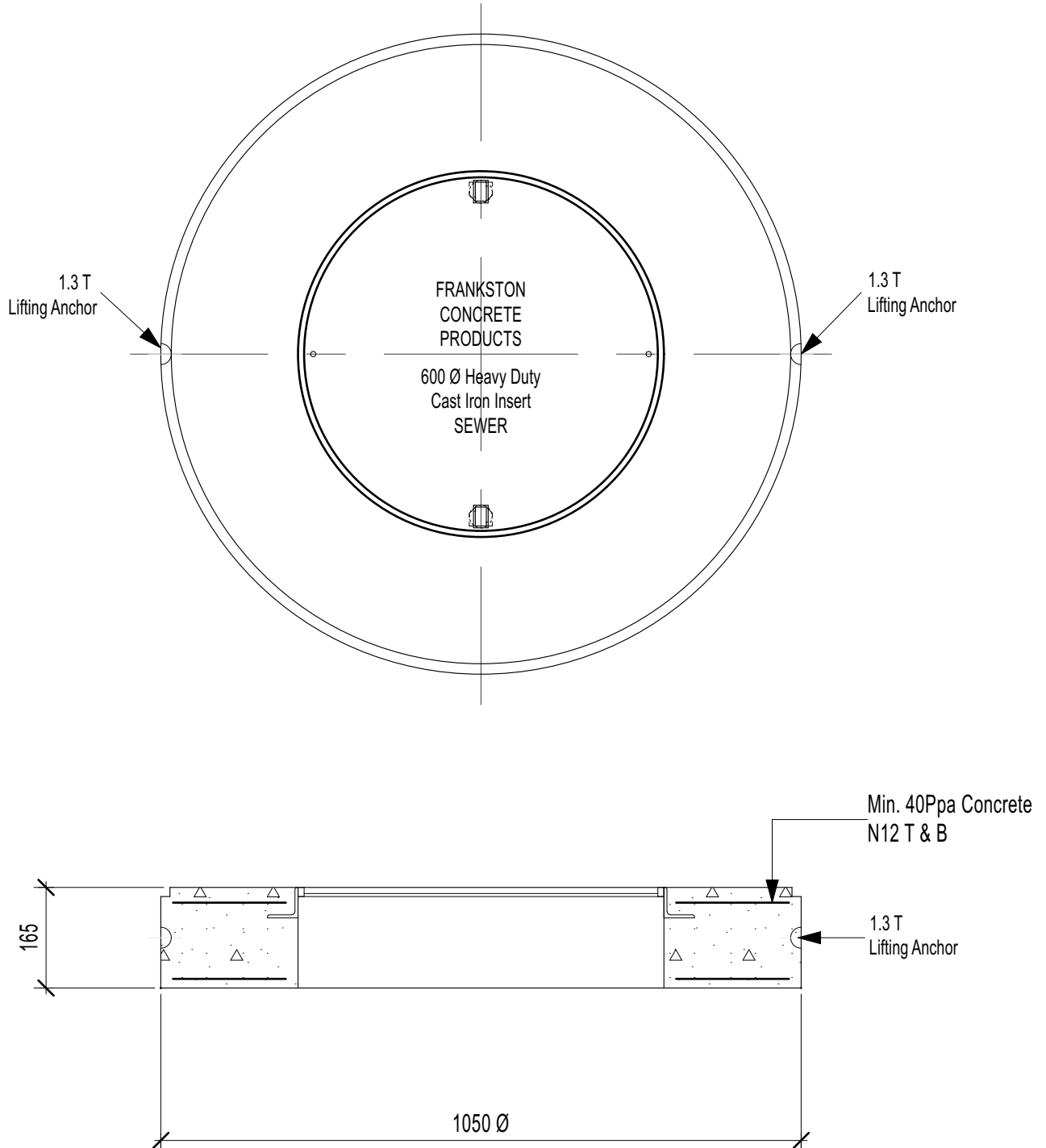


# Cast Iron Access Cover

600 Ø Cast Iron Cover In Concrete Deck - Class D (Heavy) - Sewer

Bolt Down



MASS 290kg approx.



9 COLEMANS ROAD  
DANDENONG SOUTH VIC.  
3175

03 9786 3111  
sales@frankstonconcrete.com.au  
www.frankstonconcrete.com.au

SKU M600DSTE

ALL DIMENSIONS IN MILLIMETRES  
(NOT TO SCALE) DRAWN: CZ  
ISSUE: JUNE 2023